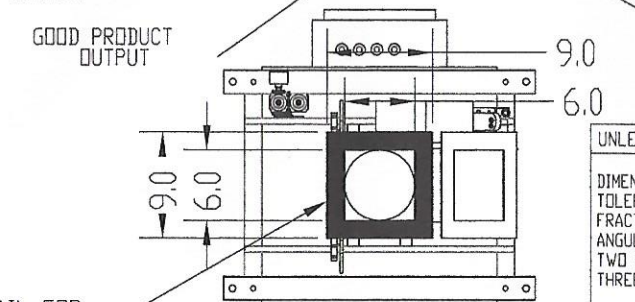
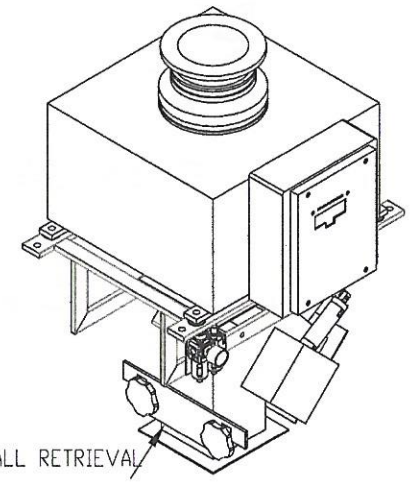
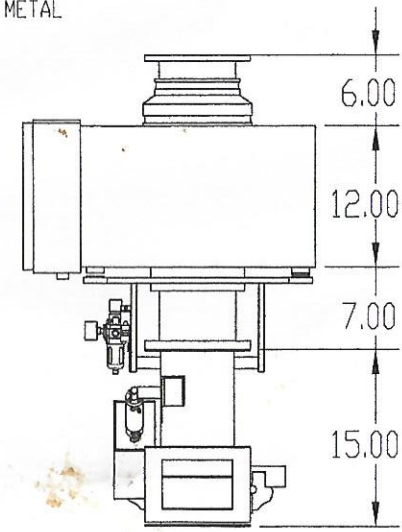
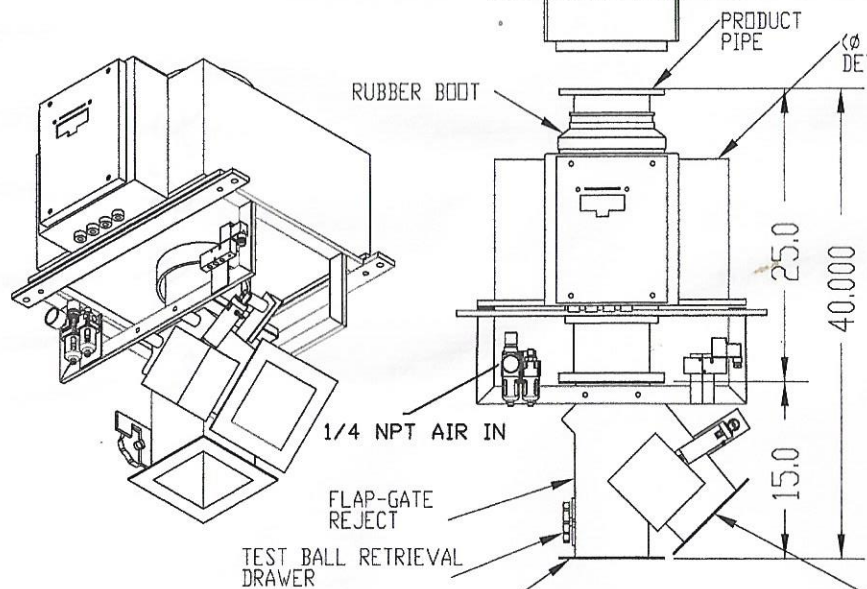


DETECTOR & SOLENOID TO  
CLASS II, DIV 2

MAX DROP HEIGHT = 14" ABOVE PIPE



FLANGE DETAIL FOR  
GOOD AND REJECT OUTPUT

NOTE:  
-ALL FLANGES ARE BLIND  
-110 VAC SUPPLY, 60 PSI AIR  
-PIPE DIMENSIONS ARE NOMINAL

PROPRIETARY AND CONFIDENTIAL  
THE INFORMATION CONTAINED IN THIS  
DRAWING IS THE SOLE PROPERTY OF  
FORTRESS TECHNOLOGY INC. ANY  
REPRODUCTION IN PART OR AS A WHOLE  
WITHOUT THE WRITTEN PERMISSION OF  
FORTRESS TECHNOLOGY INC. IS  
PROHIBITED.

UNLESS OTHERWISE SPECIFIED		NAME	DATE
DIMENSIONS ARE IN INCHES	DRAWN	DESMOND	JUNE 15, 2011
TOLERANCES:	CHECKED	JOHN	SEPT 6/19
FRACTIONAL ±	ENG APPR.		
ANGULAR: MACH ± BEND ±	MFG APPR.		
TWO PLACE DECIMAL ±	Q.A.		
THREE PLACE DECIMAL ±	COMMENTS:	<i>OK'd. IKE Bygl</i> <i>OKAY/APPROVED</i> <i>9/18/2019</i>	
INTERPRET GEOMETRIC TOLERANCING PER:			
MATERIAL			
FINISH			
DO NOT SCALE DRAWING			



TITLE:		
CUSTOM PELLETING PD 5		
SIZE	DWG. NO.	REV
A	T-71007	000
SCALE: 1:16	WEIGHT:	SHEET 1 OF 1