

APPROXIMATE WEIGHTS:

TOTAL WEIGHT OF EMPTY DECANTER.....	2,300kg/ 5071 lbs
ROTATING ASSEMBLY INCL. PILLOW BLOCKS.....	600kg/ 1326 lbs
CPL. FRAME ASSEMBLY EXCL. MAIN MOTOR AND ROT. ASSEMBLY.....	1,400kg/ 3087 lbs
MAIN MOTOR.....	300kg/ 662 lbs
UPPER CASING.....	150kg/ 331 lbs
GEAR BOX.....	.90kg/ 199 lbs
MIN. CRANE CAPACITY FOR LIFTING OF ROTATING ASSEMBLY.....	1,000kg/ 2206 lbs

LOADING DATA:

DECANTER

- MAX. STATIC LOAD
 - A-VERTICAL.....24000 N
 - B-HORIZONTAL.....0 N
- MAX. DYNAMIC LOAD AT RUN DOWN (ADD TO STATIC LOAD)
 - A-VERTICAL.....±8000 N
 - B-HORIZONTAL.....±4000 N
- MAX. DYNAMIC LOAD AT OPERATING SPEED
 - A-VERTICAL.....750 N
 - B-HORIZONTAL.....750 N

ALL LOADS ARE EVENLY DISTRIBUTED ON THE VIBRATION ISOLATORS

CONNECTIONS:

DIMENSION/TYPE:

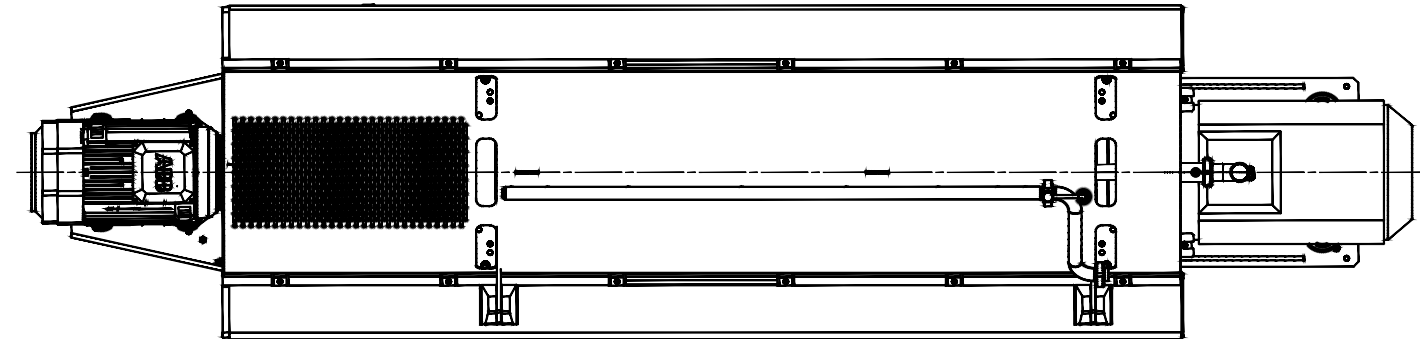
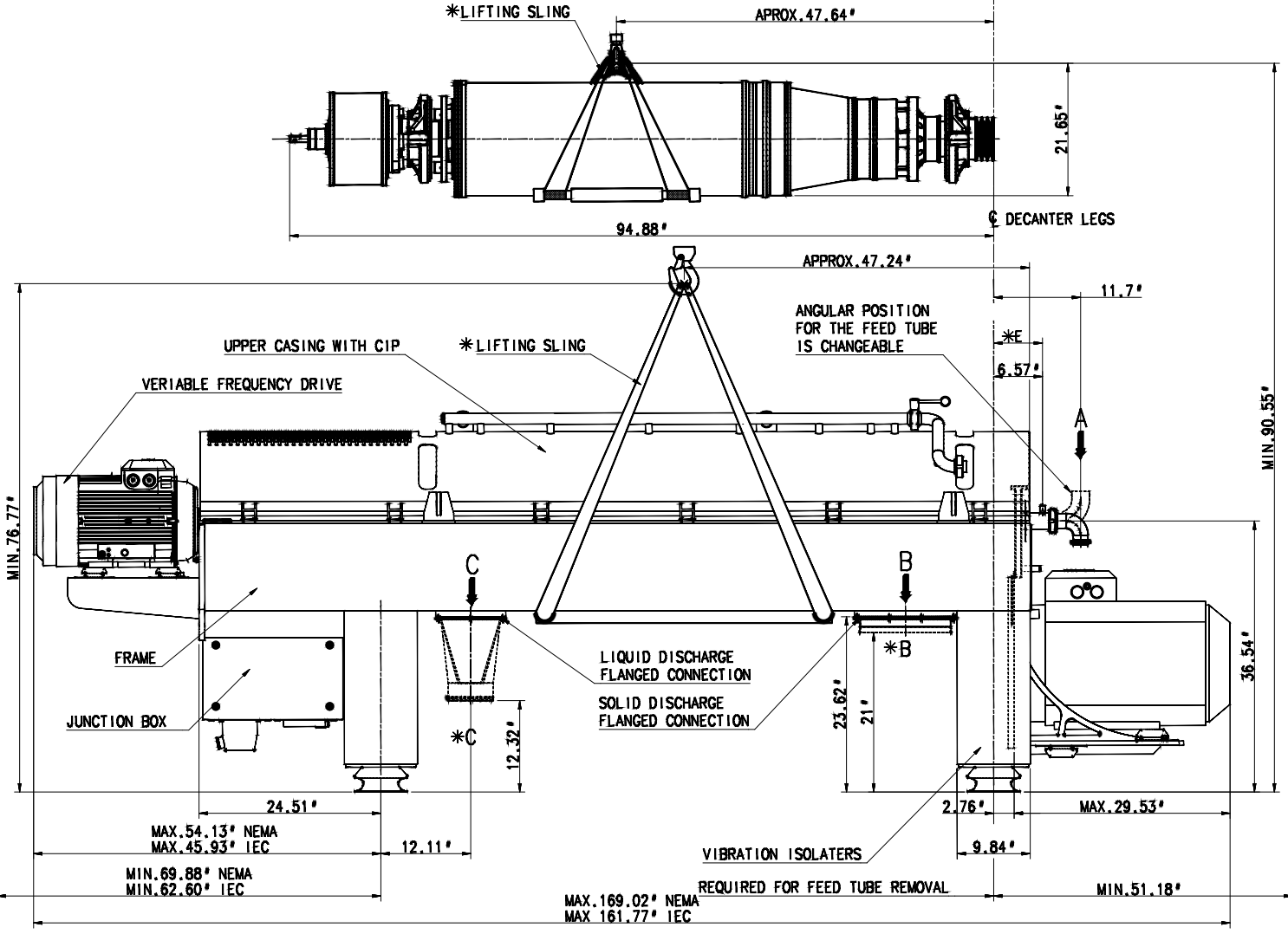
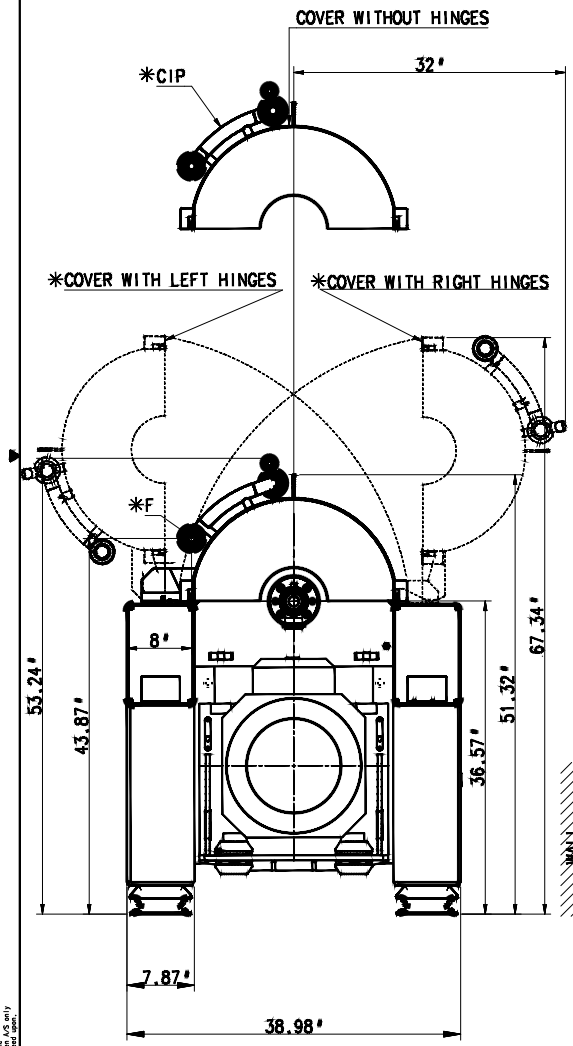
- A FEED.....2" HOSE CONNECTION
- B SOLIDS OUTLET.....RECTANGULAR FLANGE
- *B SOLIDS OUTLET FUNNEL.....23.23" X 12.20"
- C LIQUID OUTLET.....RECTANGULAR FLANGE
- *C HEAVY PHASE LIQUID OUTLET FUNNEL.....6" HOSE CONNECTION
- *E: CIP/SEALING AIR.....1/4" BSP CONNECTION
- *F CIP/DILUTING WATER.....1 1/2" WELDING FERRULE

NOTES:

- ALL CONNECTIONS MUST BE FLEXIBLE
- FOR PROPER VENTING OF DISCHARGE HOPPERS REFER TO THE INSTALLATION DATA MANUAL IMPROPER VENTING CAN LEAD TO LEAKAGE PROBLEMS
- CUSTOMER IS RESPONSIBLE FOR ANCHORING
- FOR FURTHER INFORMATION, SEE INSTALLATION DATA MANUAL

*OPTIONAL EQUIPMENT

COMPLEMENTARY DRAWING 61246285



This drawing and its contents are the exclusive property of FOODEC 3000. No part of this drawing may be reproduced, stored in a retrieval system, or transmitted in any form or by any means, electronic, mechanical, photocopying, recording, or by any information storage and retrieval system, without the prior written permission of FOODEC 3000.

CONNECTIONS:
*E: CIP/SEALING AIR.....1/4" BSP CONNECTION ADDED.
MIDDLE VIEW:
CONNECTION A: DIMENSION 11.7" NEW LINES 0.13"
CONNECTION E: DIMENSION 6.57" ADDED.

Rev. No.	Date	Modified By	Appr.
1	140812	ONE	JCD

Item	Article No.	Name/Designation	WEIGHT	Material
DIMENSIONED DRAWING				
FOODEC 3000				
A11e Level Copenhagen A/S DENMARK				
3. SWANIN GEAR	First angle projection	Scale 7:50	Date 140303	Design Code
RAJAH	Format AG	Appr. ANR	Model KISA	Y
Document No.				61246330