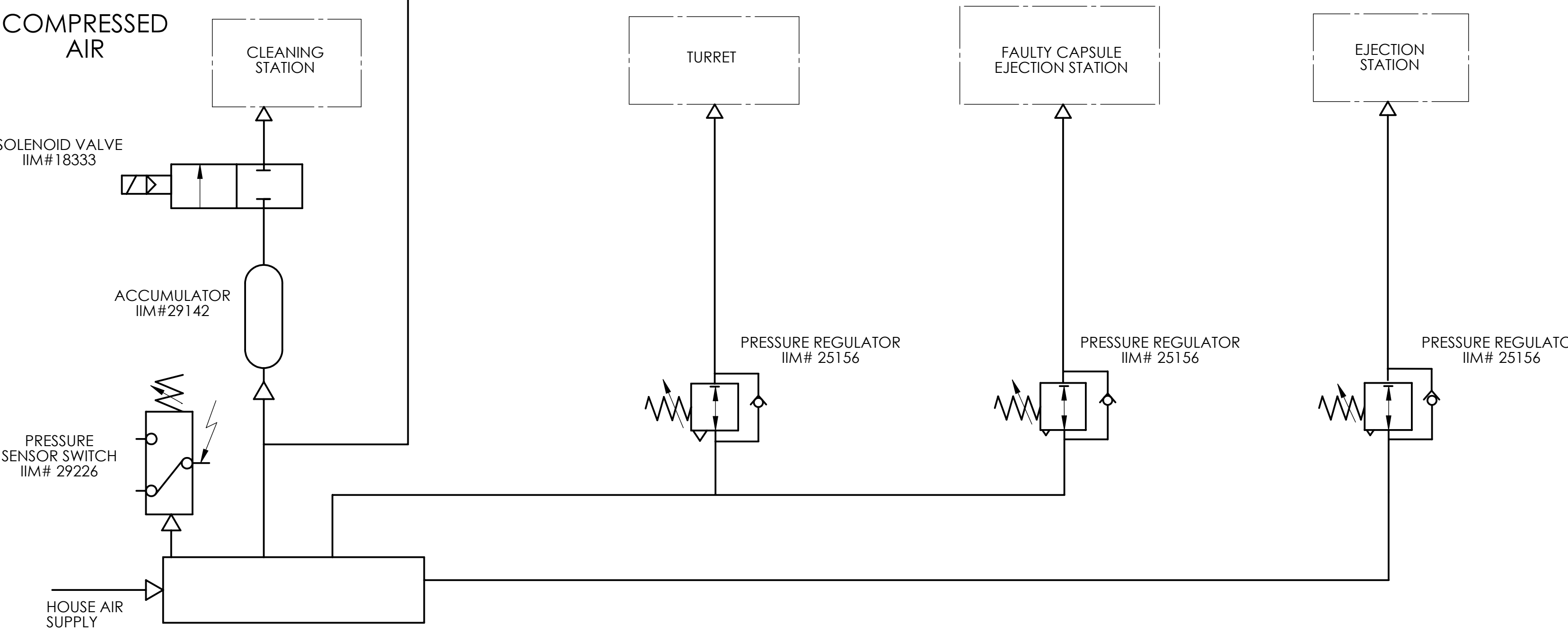
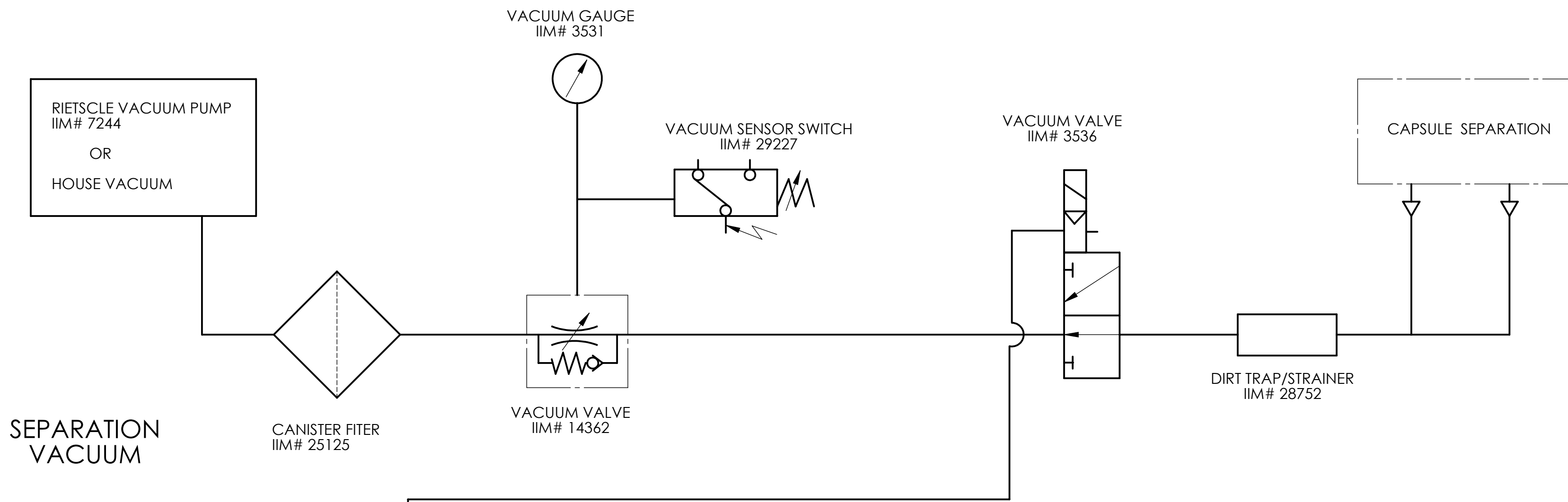


NO PART OF THIS DRAWING MAY BE REPRODUCED OR TRANSMITTED IN ANY FORM, INCLUDING PHOTOCOPYING, FOR ANY PURPOSE WITHOUT THE WRITTEN PERMISSION OF INTL INVENTORY MGMT. ALL RIGHTS RESERVED



REVISIONS			
REV.	DESCRIPTION	DATE	NAME
A	INITIAL RELEASE.	07/07/2015	T.BOOKER

UNLESS OTHERWISE SPECIFIED ALL DIMENSIONS ARE IN MILLIMETERS [INCH].
 ALL SURFACE FINISHES ARE IN MICROMETERS [MICROINCH].
 BREAK ALL SHARP CORNERS 0.3 [0.01].
 ANGULAR DIMENSIONS ARE ± .05 DEGREES

UNSPECIFIED TOLERANCES IN MM [INCH]					
TO	OVER	OVER	OVER	OVER	OVER
6 [0.24]	6 [0.24]	30 [1.19]	120 [4.73]	315 [12.41]	1000 [41.49]
± 0.1	± 0.2	± 0.3	± 0.5	± 0.8	± 1.2
[± 0.004]	[± 0.008]	[± 0.011]	[± 0.020]	[± 0.031]	[± 0.047]

NAME	DATE	DESCRIPTION:
T.BOOKER	07/07/2015	IIM2100 PNEUMATIC SCHEMATIC
-	-	
D.GAUTHIER	10/08/12	

SIZE	MATERIAL:	REV
C	IIM# IIM2100-29324-PNEU	A

INTERPRET GEOMETRIC TOLERANCING PER: ASME Y14.5M - 1994

THIRD-ANGLE PROJECTION

SCALE: 1:1 SHEET 1 OF 1