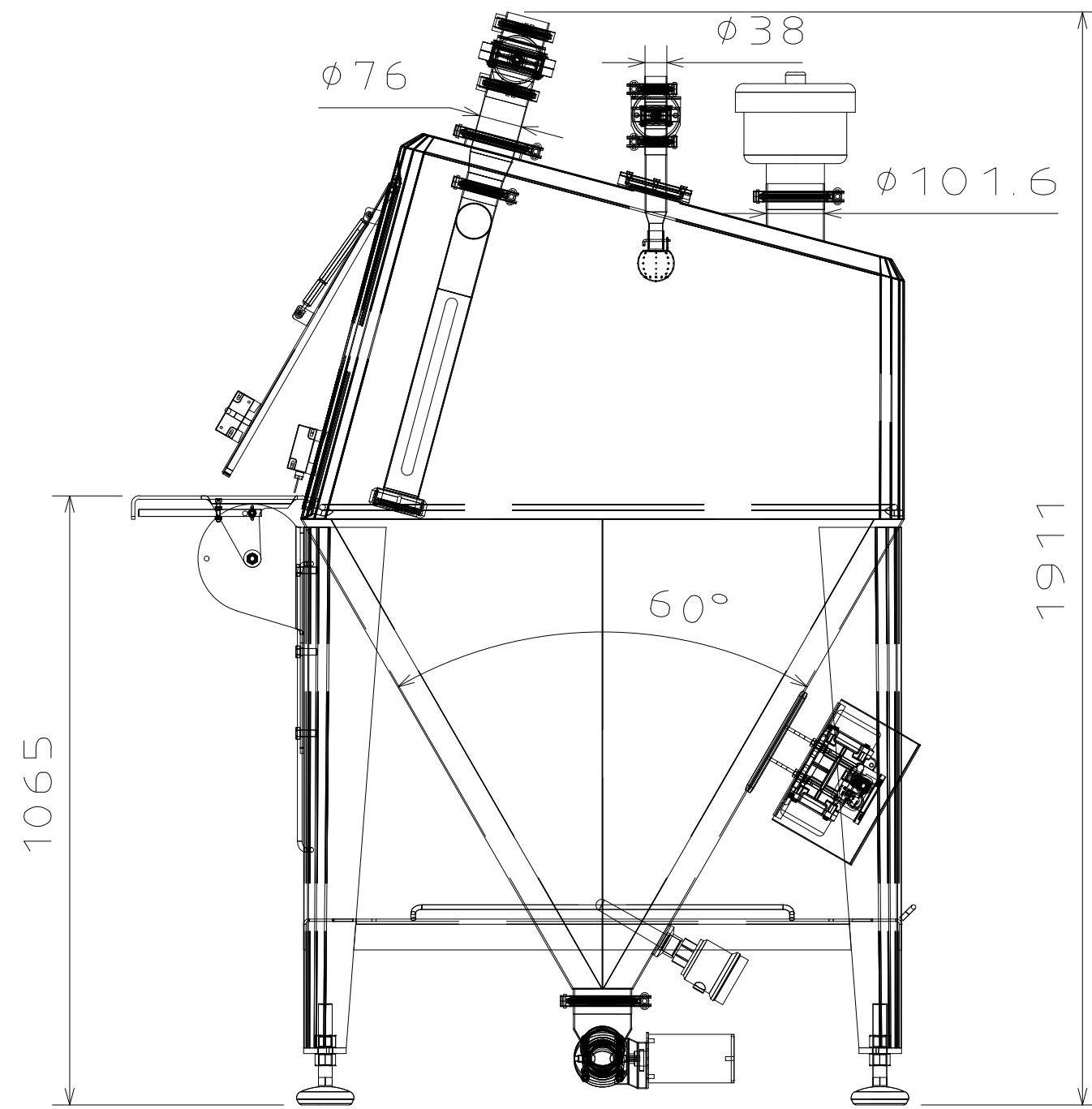
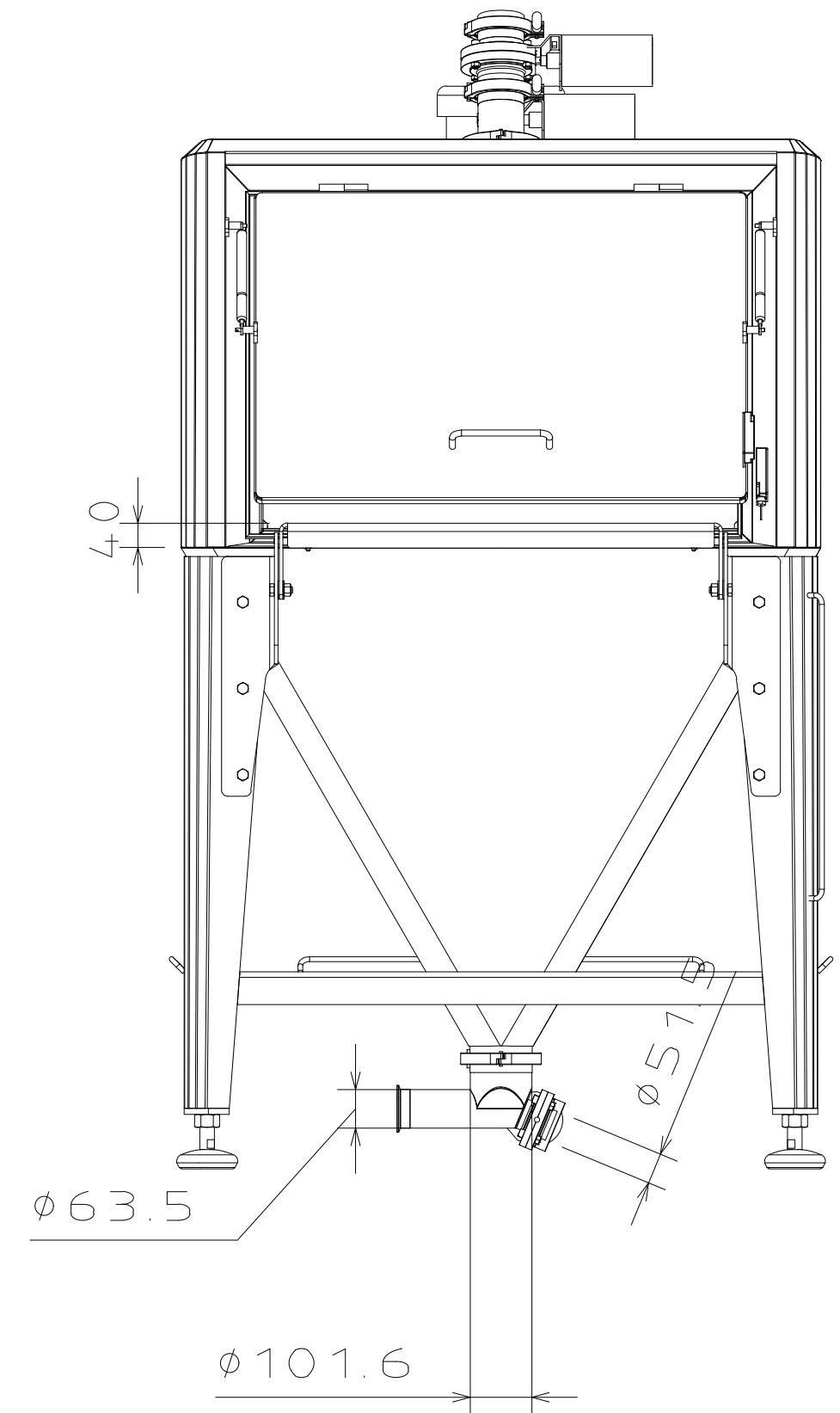


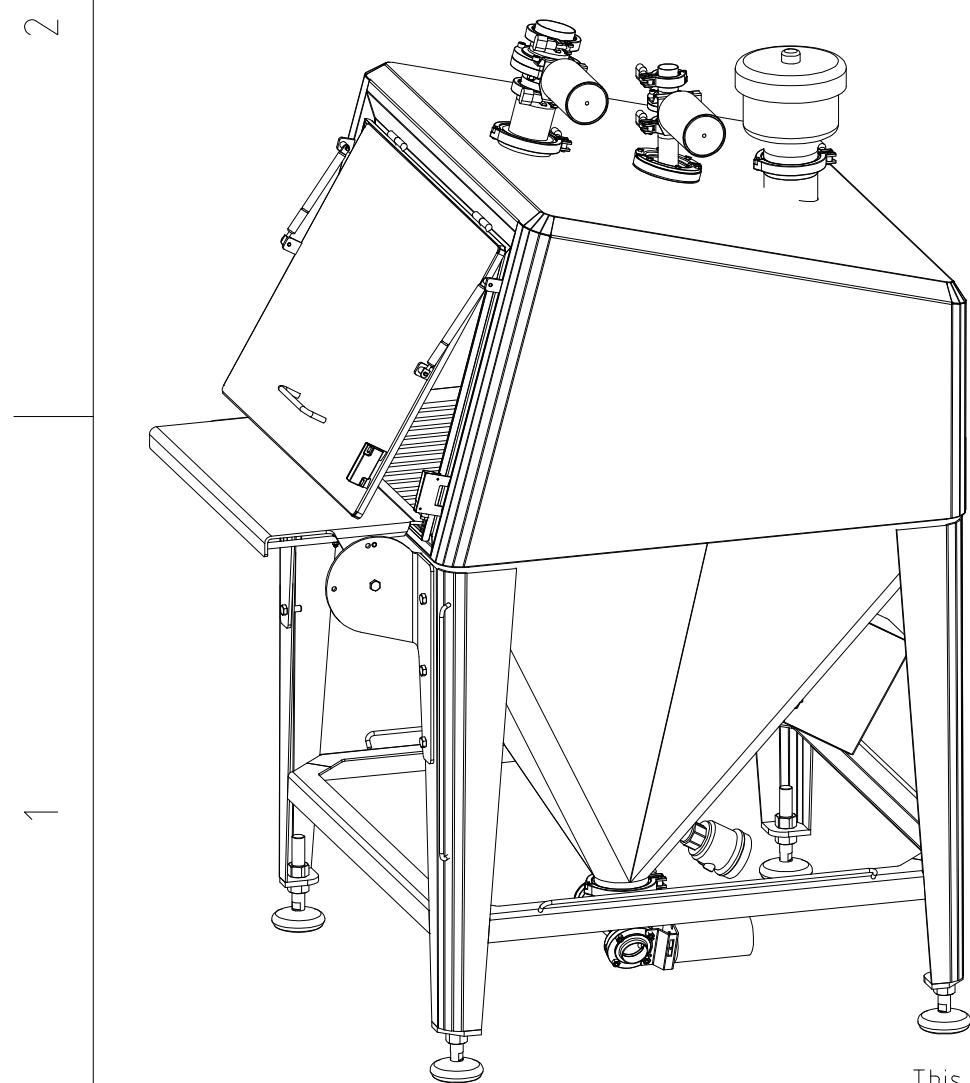
Auxiliary view B
Scale: 1:15



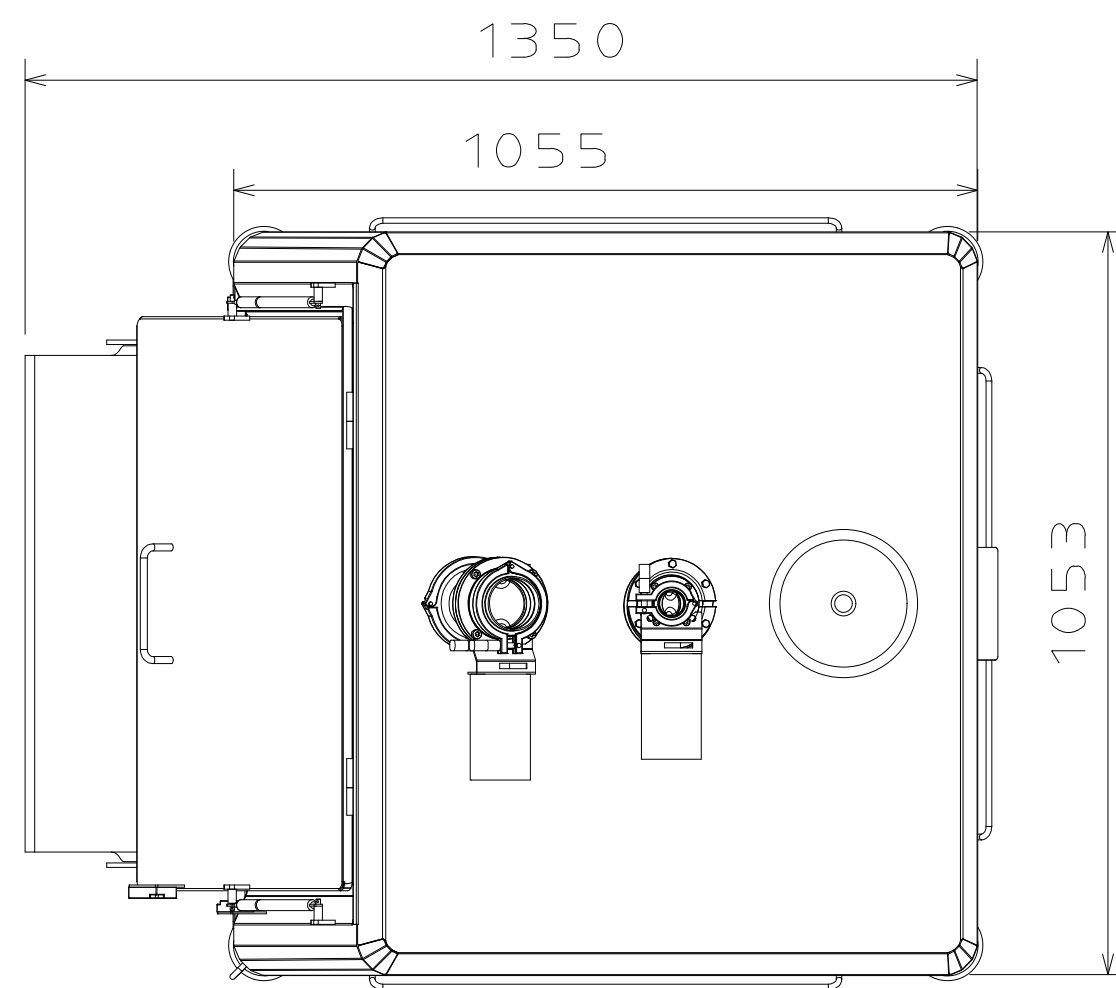
Bottom view
Scale: 1:15



Auxiliary view A
Scale: 1:15




Isometric view
Scale: 1:20



Front view
Scale: 1:15

Revision	Description	Release date	Released By
b		07-12-2011	tp
c		22-12-2011	tp
d	Sack table repl. Gas spring arr. upd.	27-09-2013	lj
e	Sack table repl. Gas spring arr. upd.	03-06-2014	ssi

Designed By	tp	Title	Tragt samling nedre 1050x1050	
Design Date	07.09.11	Weight [Kg]		
Released By	ssi	Case No		
Released date	06/03/2014	Stock No.	Drawing ID	Part/Product number
Material		Part Type:	CD3031400	CA3024423
Surface finish:		made	Sheet	Revision
Not Stated toll:	ISO 2768-1 c (coarse)	Section	1/1	e
		Size	A3	



Tetra Pak Scanima A/S
Gugvej 152 B - DK-9210 Aalborg SØ
Ph. +45 96 33 10 00 - Fax +45 96 33 10 12
www.scanima.com