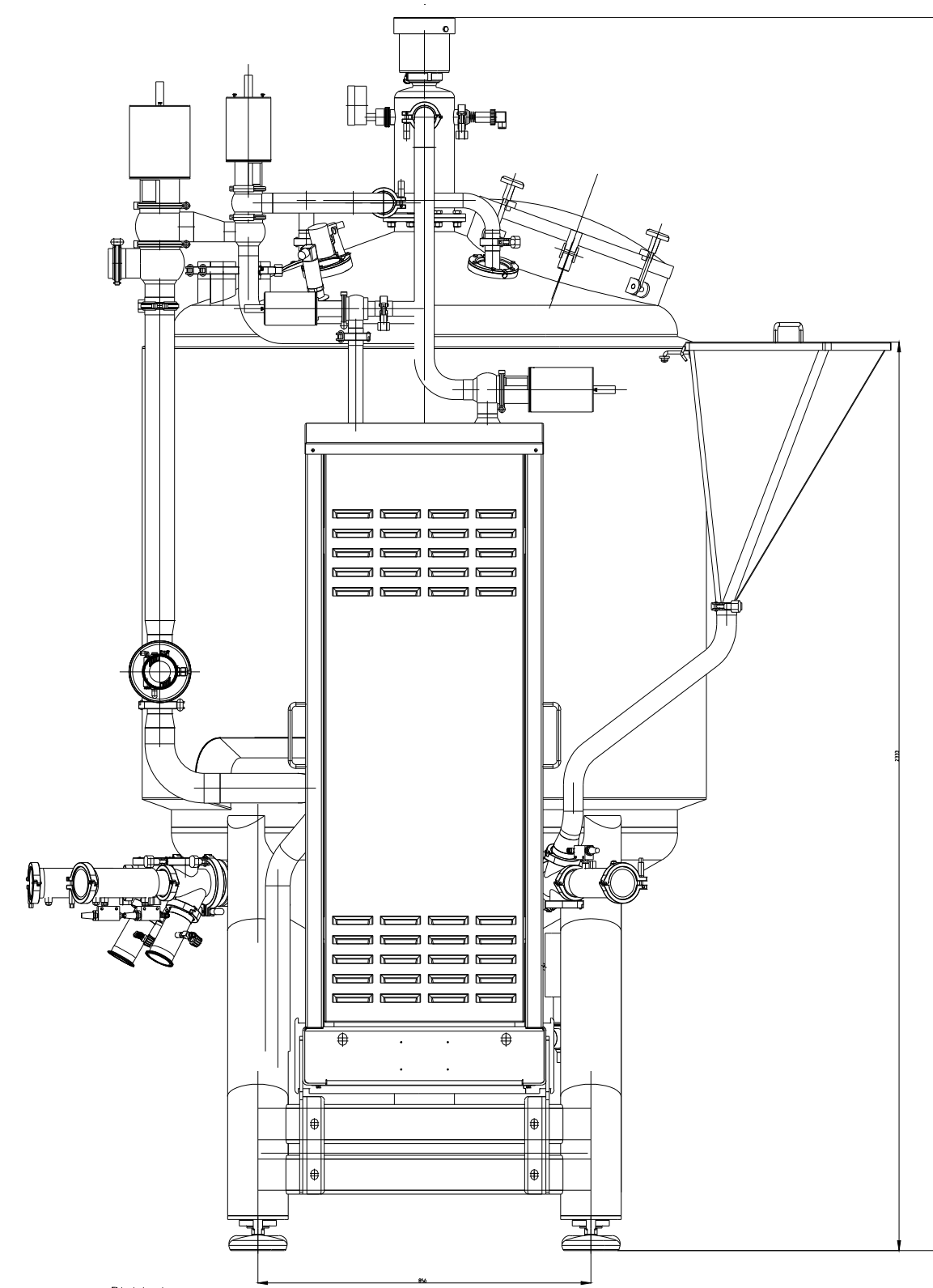


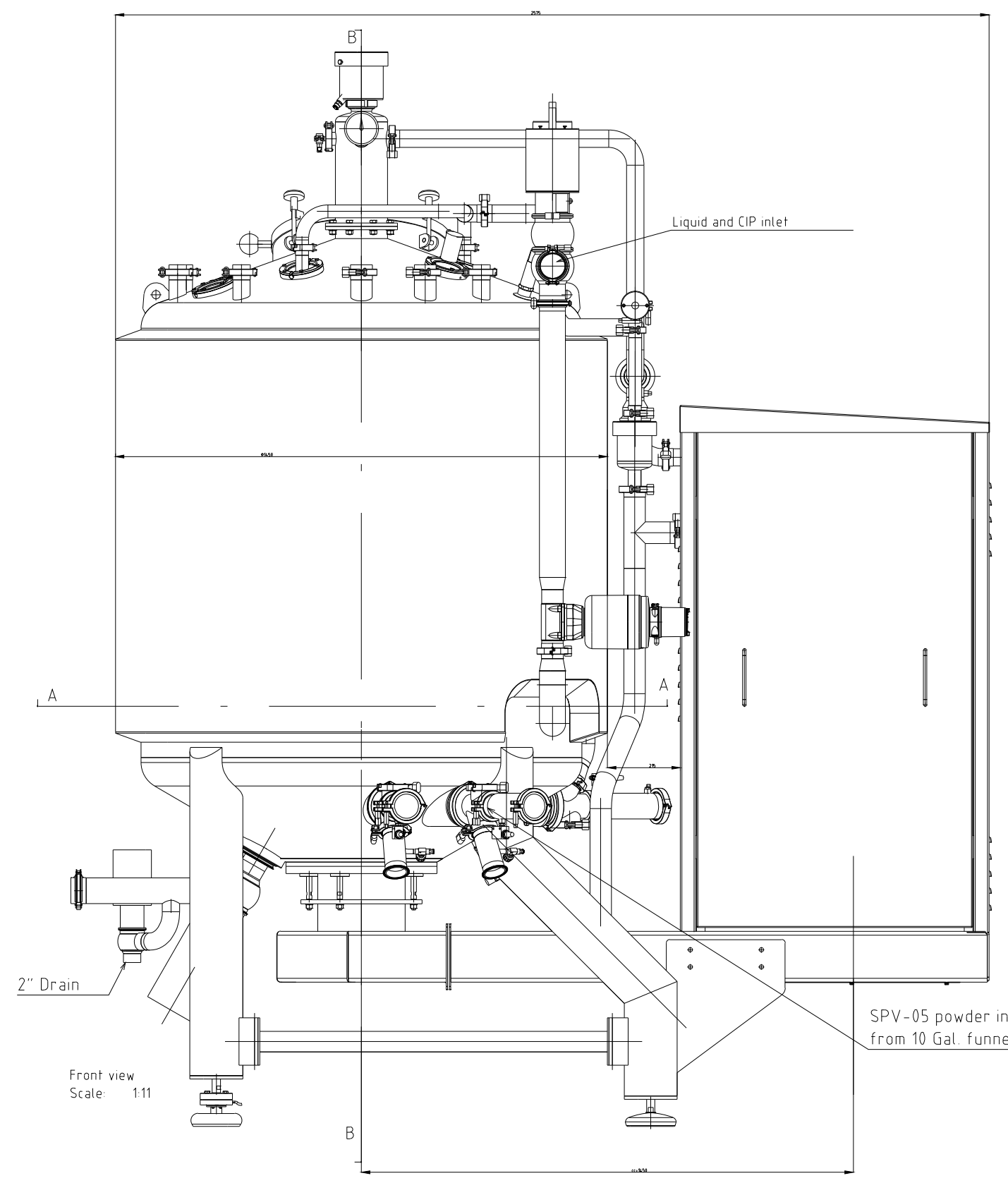
P O N M L K J I H G F E D C B A

8
7
6
5
4
3
2
1

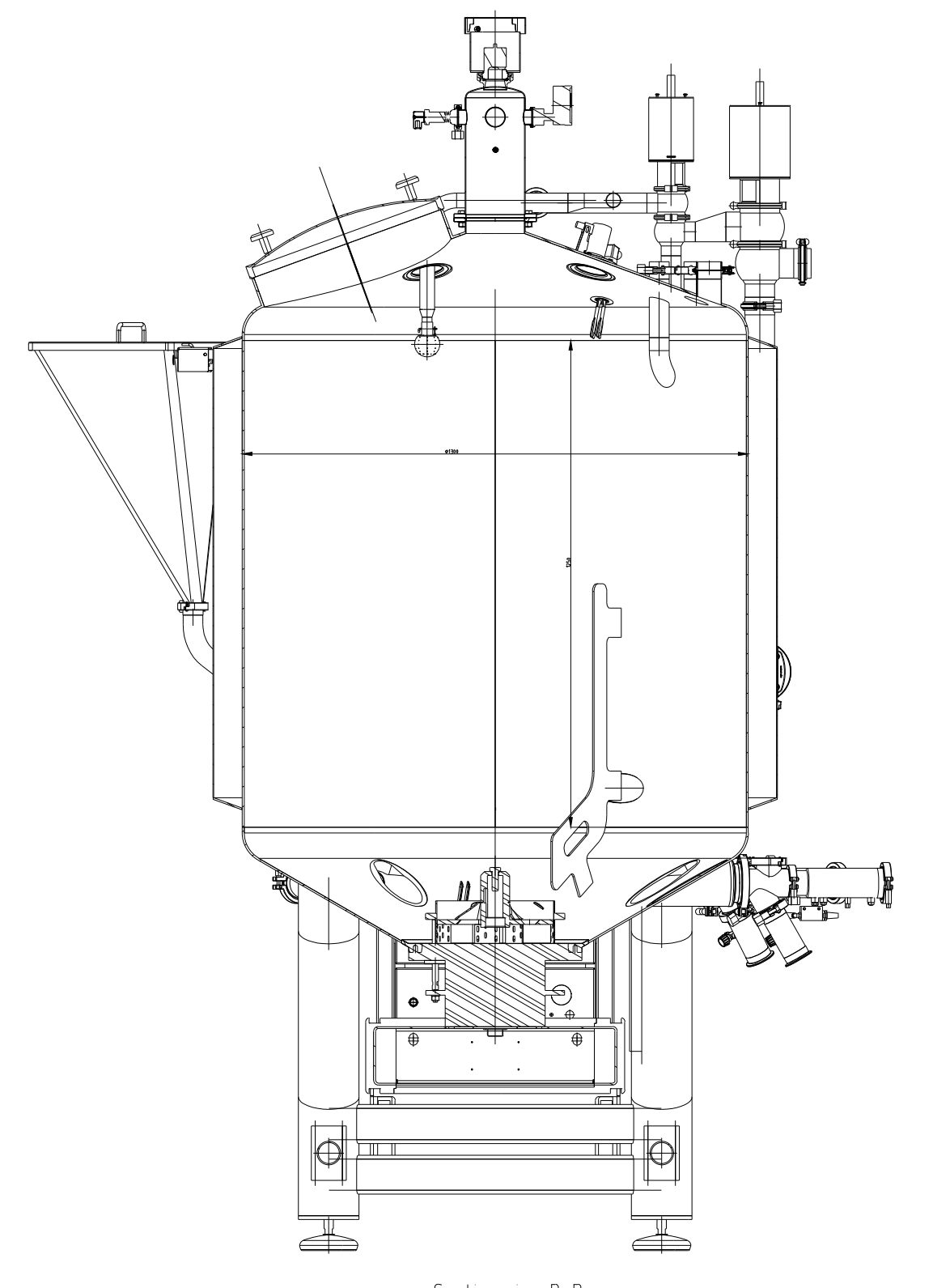
8
7
6
5
4
3
2
1



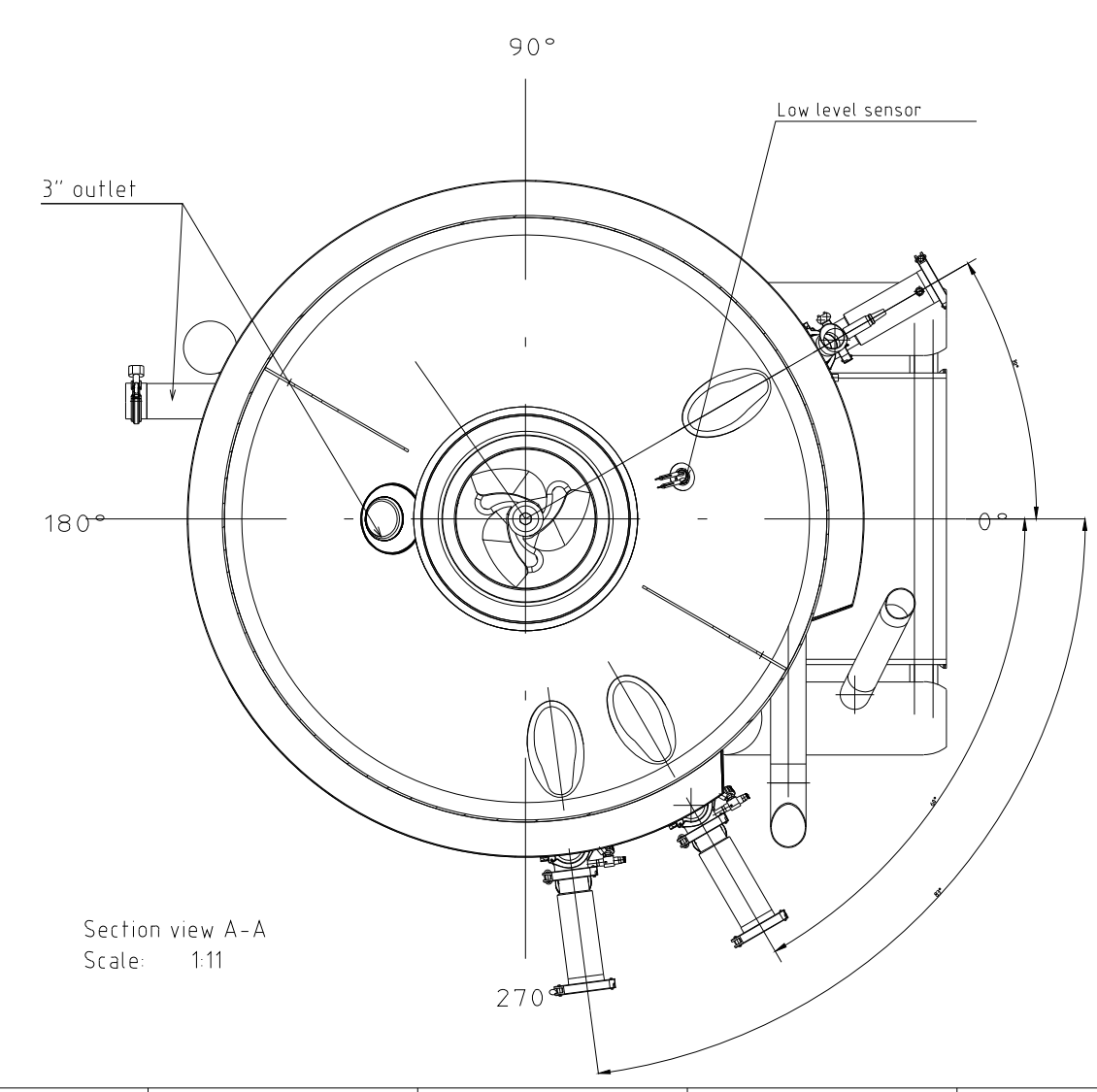
Right view
Scale: 1:11



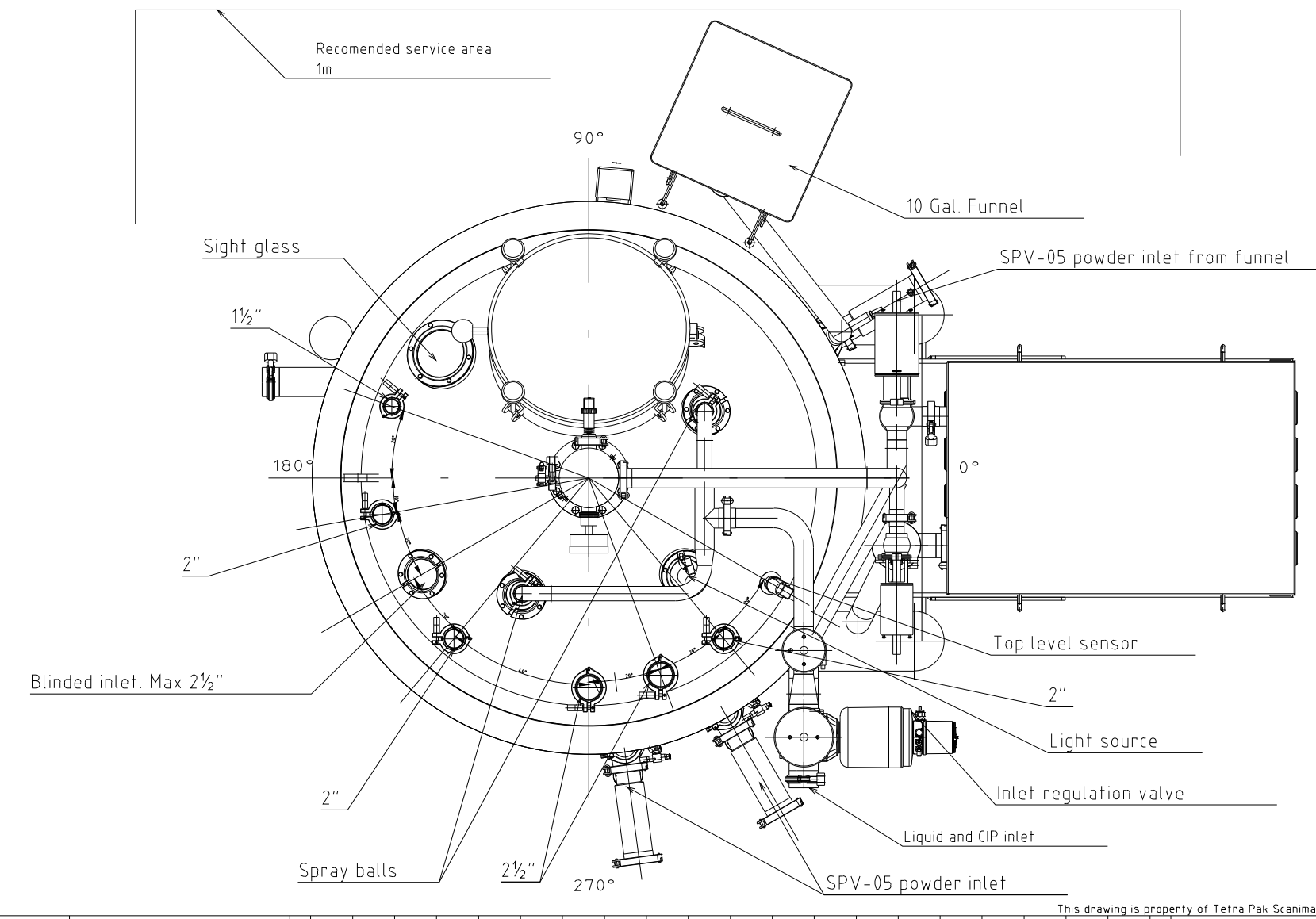
Front view
Scale: 1:11



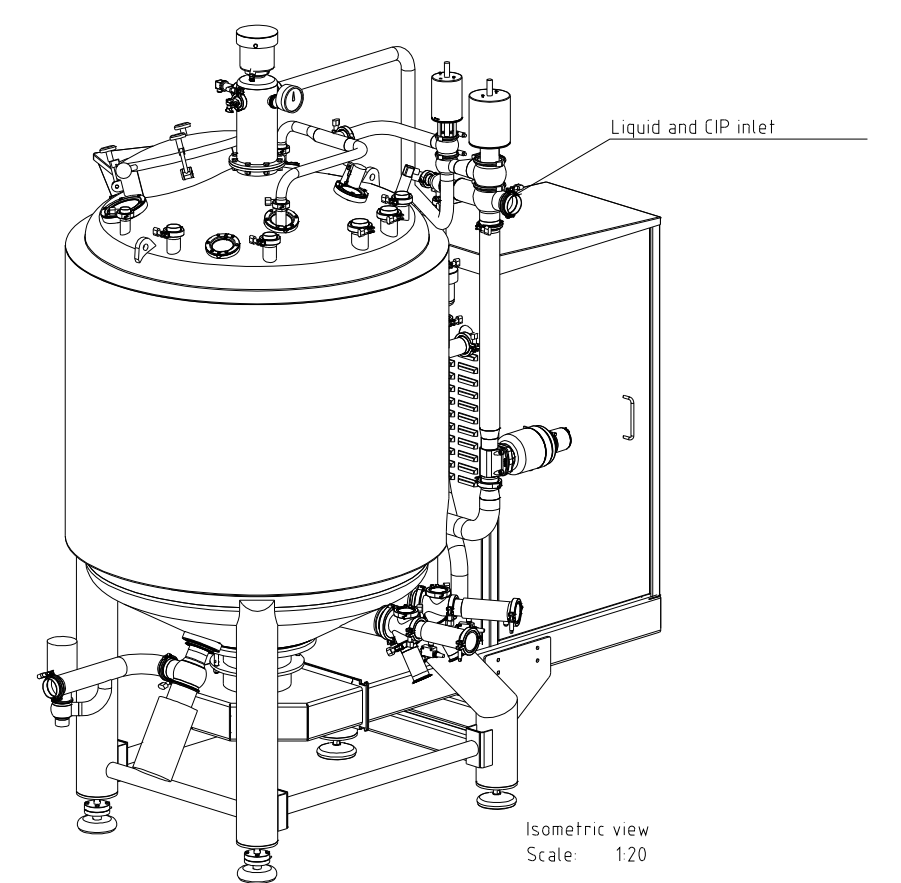
Section view B-B
Scale: 1:11



Section view A-A
Scale: 1:11



Top view
Scale: 1:11



Isometric view
Scale: 1:20

Huntington

Designed By	f.l	Title	Tetra Almix B300-1500V Huntington	
Design Date	21.07.11	Weight (Kg)		Revision
Released By		Case No.	14-913	a.04
Released date		Stock No.	CD 30 31155	CA3024779
Material		Part Type	made	
Surface finish		Section	Size	1 / 1
Not Stated tall:	ISO 2768-1 c (coarse)	Section	Size	Δ1

This drawing is property of Tetra Pak Scanima A/S. It can't be reproduced or communicated without our written agreement.

P O N M L K J I H G F E D C B A