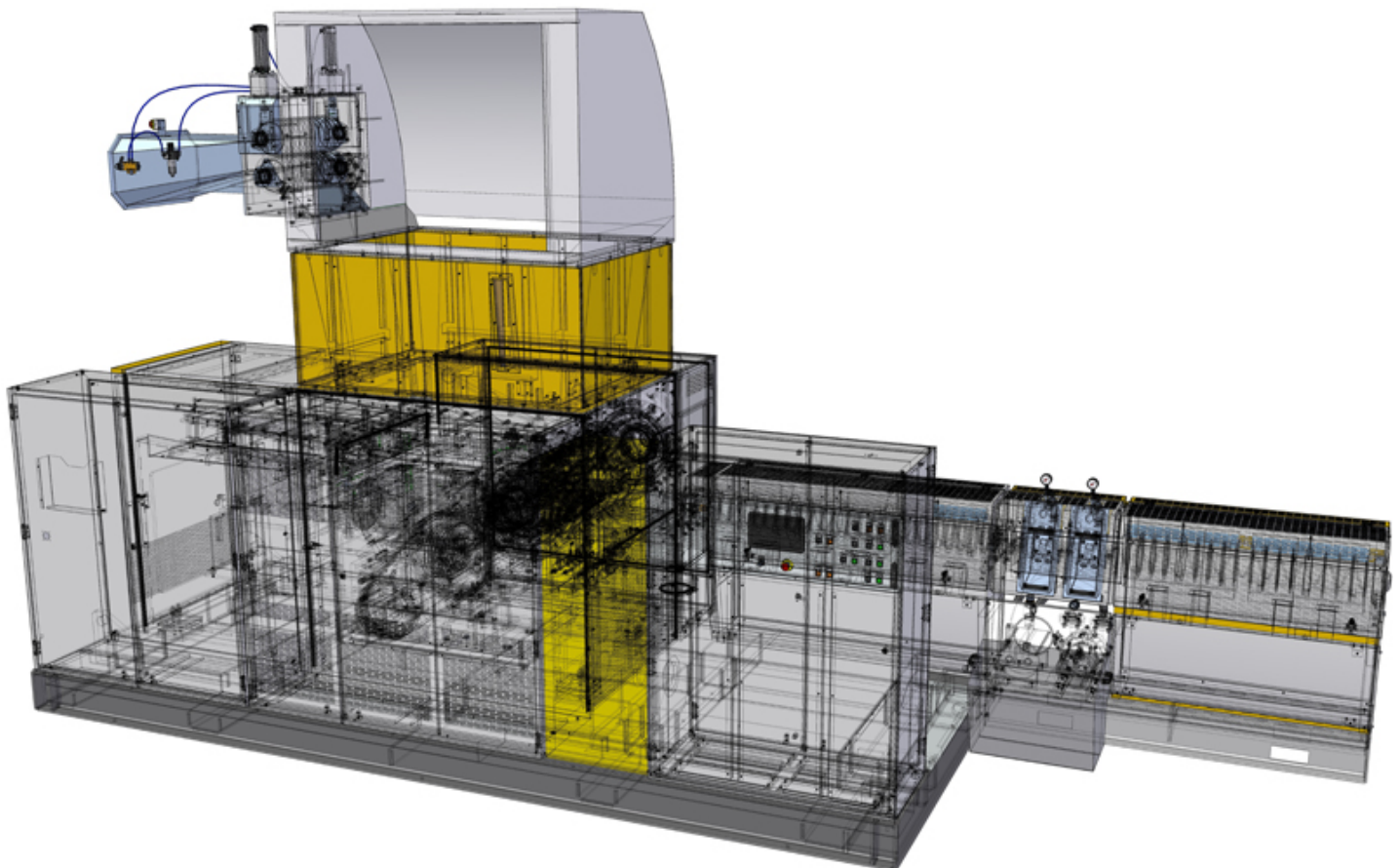


Parts list 2028005

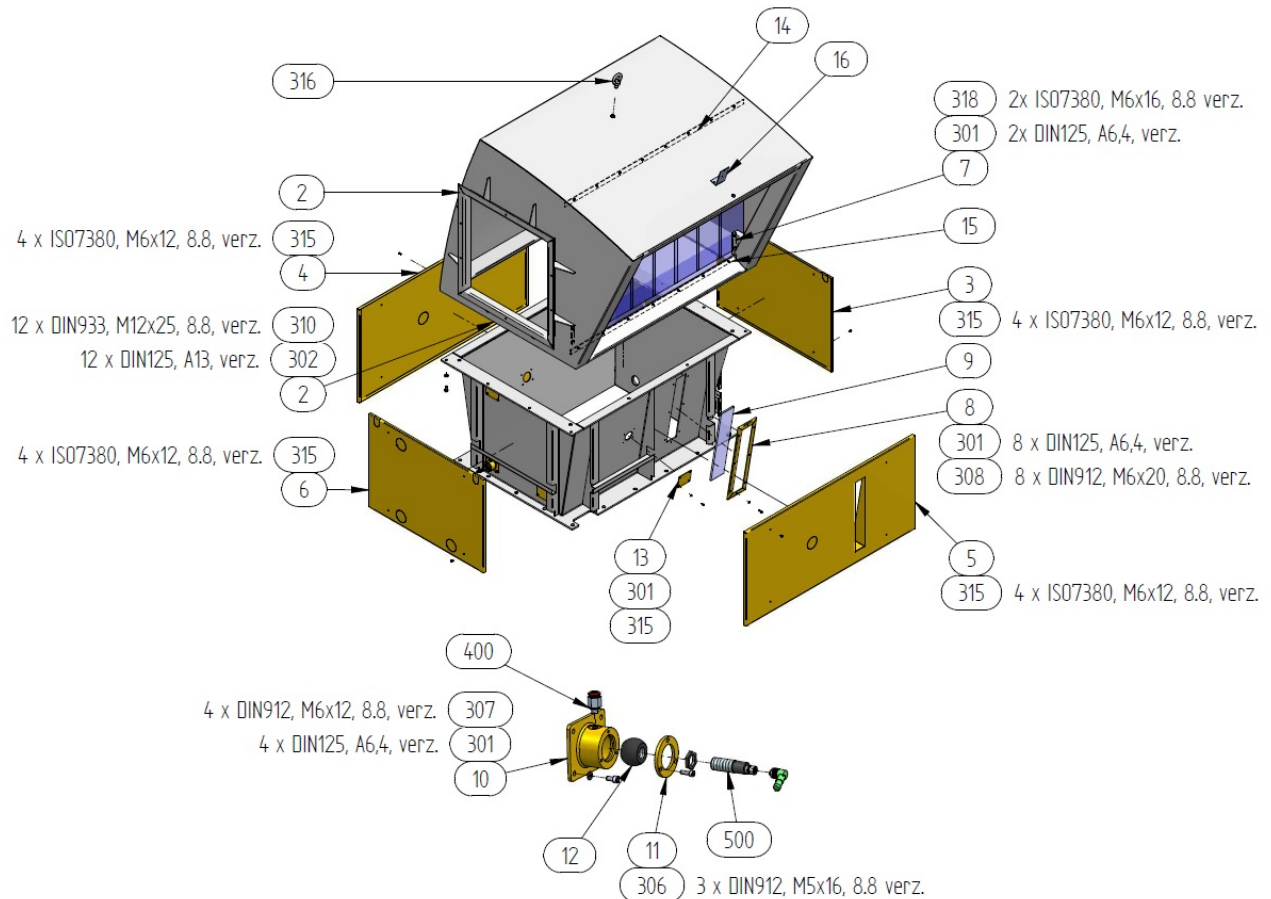
S:GRAN 075-70 V ASP



Serial Number: Q-17108

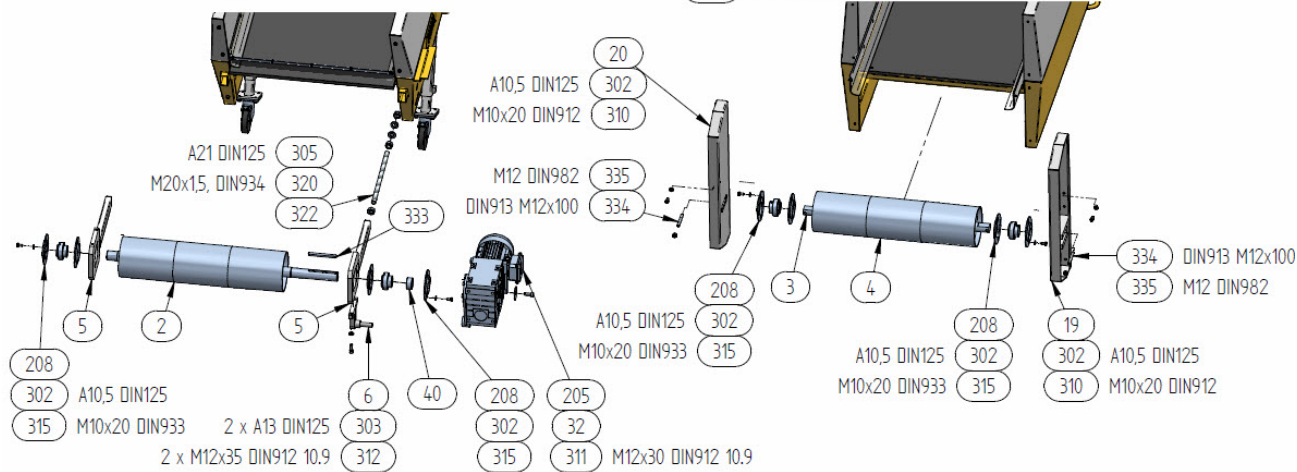
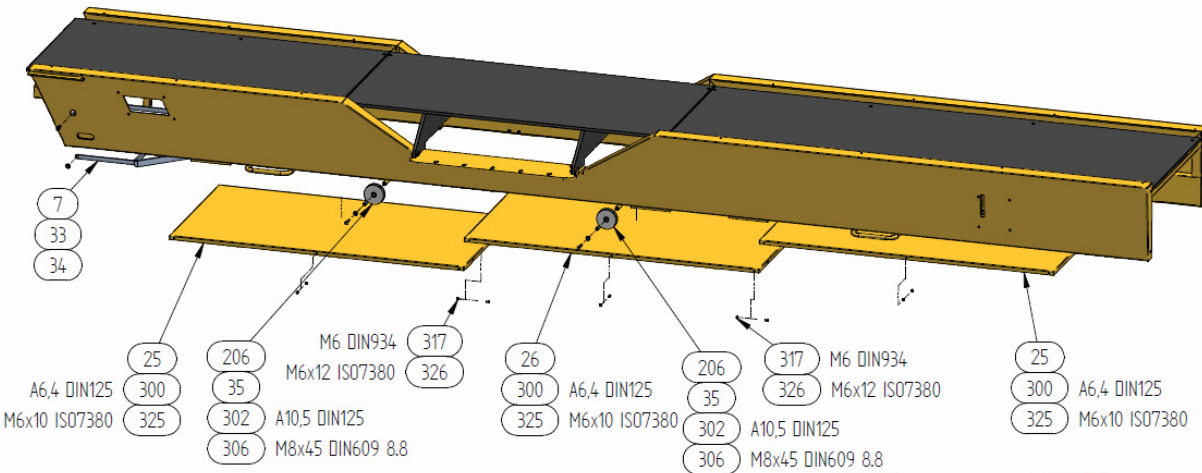
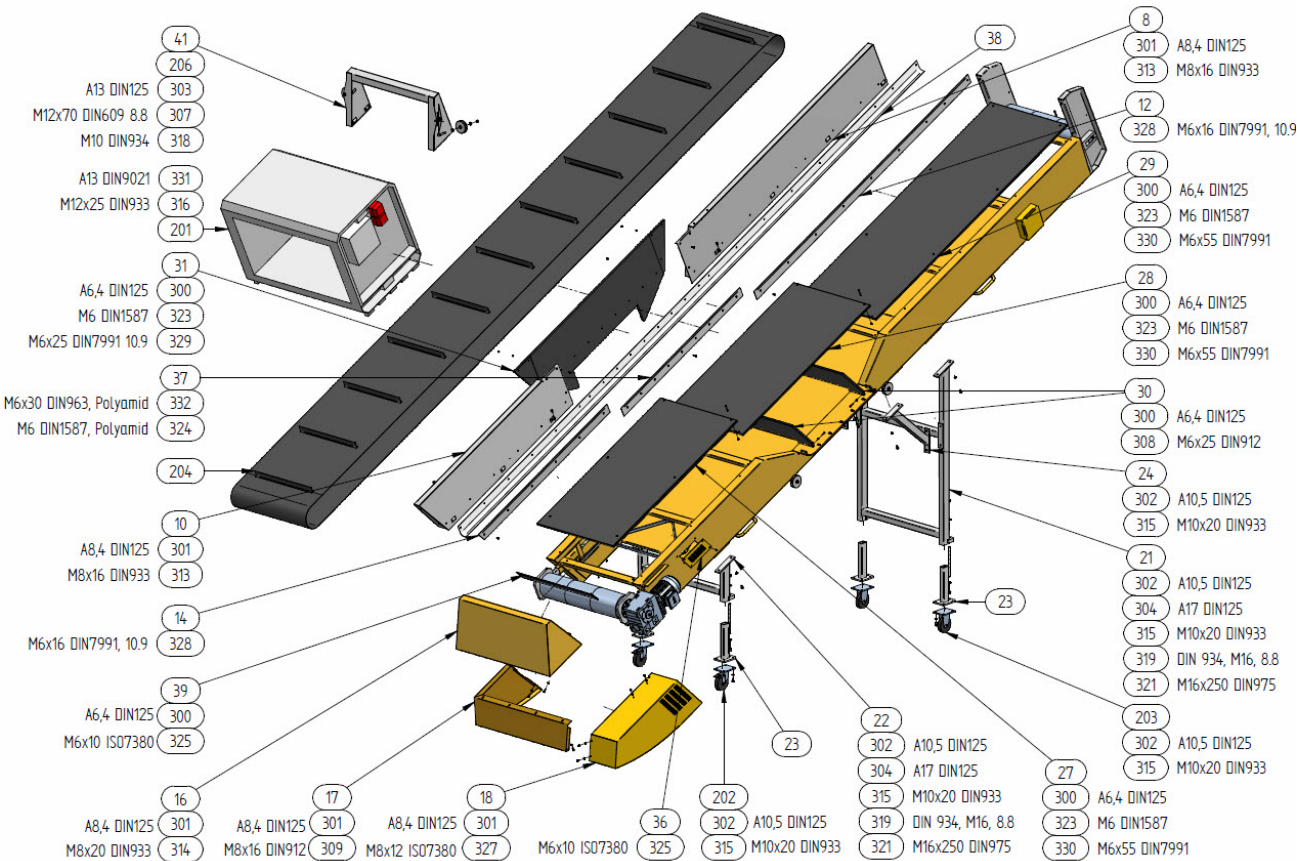
Next Generation Recyclingmaschinen GmbH
Gewerbepark 22
4101 Feldkirchen/AUSTRIA
Tel.: +43 7233 70107, Fax: +43 7233 70107 2
Internet: www.ngr-world.com

Item	Article	Designation	Quantity
1	S-GRAN	NGR Recycling machine	
10	R-01300-14000-V01	Hopper for S-Gran CB90° RF180°	



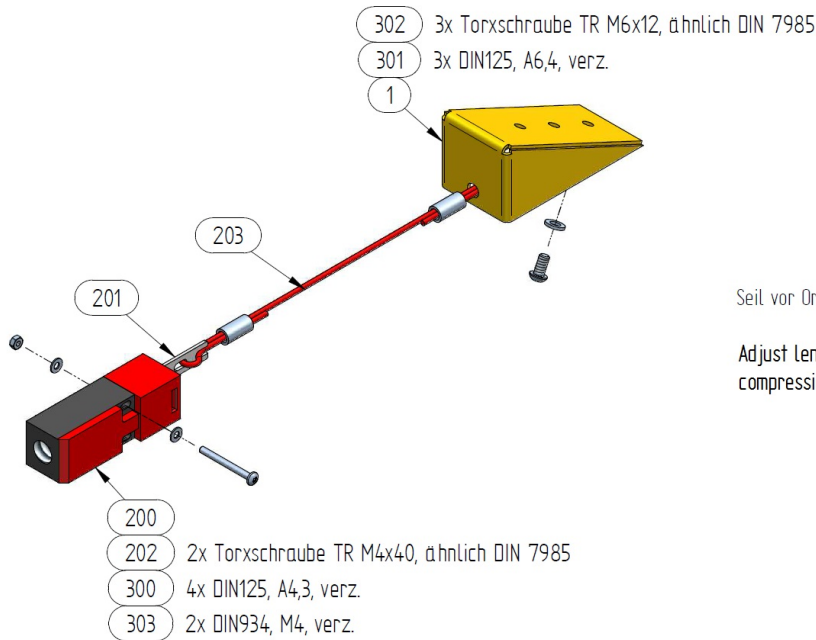
1	A-01300-14001-V01	Hopper	1.00	piece
2	A-01300-14002-V39	Protection hood CB270°, RF800 180°	1.00	piece
3	A-01300-14003-V00	Cover for hopper (right hand side)	1.00	piece
4	A-01300-14004-V00	Cover for hopper (back side)	1.00	piece
5	A-01300-14005-V00	Cover for hopper (front side)	1.00	piece
6	A-01300-14006-V00	Cover for hopper (left hand side)	1.00	piece
7	A-01150-04010-V00	Clamping bar sideways for dust curtain	2.00	piece
8	A-01300-07003-V00	Frame	1.00	piece
9	A-01300-07005-V00	Plexiglas 520 x 105 x 10 mm (hopper)	1.00	piece
10	A-01300-07010-V01	Bracket (light barrier)	2.00	piece
11	A-01300-07012-V00	Disk (light barrier)	2.00	piece
12	A-01500-02019-V01	Support for photoelectric barrier, Polyamide	2.00	piece
13	A-01500-02020-V00	Cover sheet (light barrier hole)	6.00	piece
14	A-01300-14007-V02	Clamping bar top for dust curtain (L=1455mm)	1.00	piece
15	A-01300-14008-V02	Clamping bar bottom for dust curtain (L=1340mm)	1.00	piece
16	A-01300-07030-V00	Bracket (emergency stop)	1.00	piece
200	O-02500-00000-020	Industrial curtain tape 200mm	10.00	m
301	F-00125-06000-001	Washer, DIN125, A6,4, galv.	42.00	piece
302	F-00125-13000-001	Washer DIN 125, A13, galvanized	12.00	piece
303	F-00125-17000-001	Washer, DIN 125, A17, galv.	18.00	piece
306	F-00912-05016-002	Hexagon socket head cap screw, DIN 912, M5x16, 8.8, galvanized	6.00	piece
307	F-00912-06012-001	Hexagon socket head cap screw, DIN 912, M6x12, 8.8, galv.	8.00	piece
308	F-00912-06020-001	Hexagon socket head cap screw, DIN 912, M6x20, 8.8, galv.	8.00	piece
310	F-00933-12025-001	Hexagon head screw, DIN 933, M12x25, 8.8, galv.	12.00	piece
311	F-00933-16035-001	Hexagon head screw, DIN 933, M16x35, 8.8, galvanized	18.00	piece
315	F-07380-06012-001	Hexagon socket button head screw ISO 7380, M6x12, 8.8 galv.	40.00	piece
316	F-00580-20000-001	Lifting eye bolt DIN 580, M20, 8.8, galvanized	1.00	piece
317	F-07991-06010-001	Hexagon socket countersunk screw DIN 7991, M6x10, 10.9	15.00	piece
318	F-07380-06016-002	Hexagon socket button head screw ISO 7380, M6x16, 8.8 galv.	4.00	piece
400	L-07100-00000-095	Male stud coupling 6-1/8"	2.00	piece
500	M-03200-00000-010	Light barrier OES 6-18 M 8000 P3K-BSL	1.00	piece
	A-01300-14018-V00	Deflector plate	1.00	piece
	A-01055-03023-V01	Bracket (Sensick)	1.00	piece
	M-03200-00000-013	Connecting cable DT 50 screened (20m)	1.00	piece
	A-01300-14018-V01	Deflector plate RF800	1.00	piece
	M-03200-00000-029	3D Sensor IFM O3D300 + Kabel	1.00	piece
	M-03200-00000-030	programming cable for 3D Sensor IFM O3D300 E12204	1.00	piece

Item	Article	Designation	Quantity
40	R-01300-17001-V04	Conveyor belt 6000/800mm	



1	R-01300-17000-V04	Conveyor belt 6000/800	1.00 piece
37	A-01300-17022-V01	Clamping strip, l=1546mm (FDA)	2.00 piece
38	A-01300-17039-V02	Seal strip PVC 130 x 5964 x 3, hole 10 mm	2.00 piece
39	A-01300-17036-V00	Brush ledge	1.00 piece
200	M-01300-00000-004	Steel rope DM=3,2 mm, 10,5 m	1.00 piece

Item	Article	Designation	Quantity
201	R-01300-00000-004	Metal detector 800/600	1.00 piece
202	O-01100-00000-041	Guide pulley d=125 (conveyor belt)	2.00 piece
203	O-01100-00000-039	Fixed castor LAG	2.00 piece
204	B-03500-12760-002	Conveyor belt 800/6000 mm, T-50	1.00 piece
205	B-06002-00015-004	Contrate worm gear motor 1,5KW, 1420 U/min	1.00 piece
206	O-01100-00000-205	Rope roll PA-6, d=100 x 25	6.00 piece
207	M-01300-00000-047	Cable pull-Emergency Stop 2NC	1.00 piece
208	C-01100-00045-002	Adapter bearing 56209	4.00 piece
209	C-05400-00045-003	Flange bearing housing FB 209	8.00 piece
210	M-01300-00000-006	Wire-ropo clip DIN 741 für DM = 3,2 mm	1.00 piece
211	M-01300-00000-005	Spring (cable-input tension)	1.00 piece
60	R-99065-01000-V04	Safetymodifications Conveyor belt (S-GRAN)	

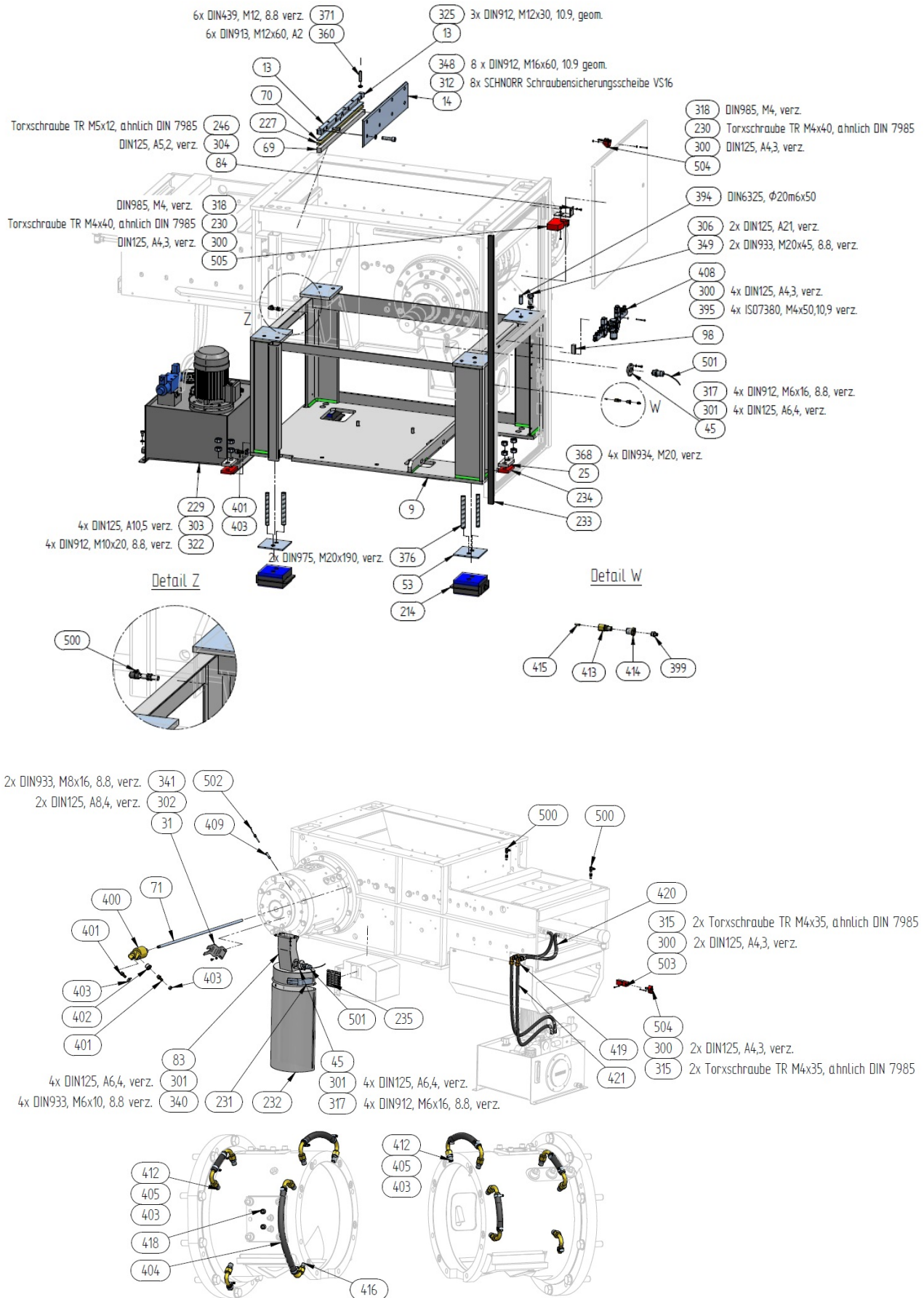


Seil vor Ort anpassen und anschließend verpressen

Adjust length of rope on site and fix it by compression of the metal sleeves

1	A-01500-11042-V01	Clip for actuator-rope	1.00 piece
200	M-03700-00000-079	Security switch 2xNC XCS PA 792	1.00 piece
201	M-03700-00000-032	Operator (XCS) Z11	1.00 piece
202	O-01100-00000-691	Safety screw M4x40, similiar to ISO 7380 TX-pin, stainless st.	2.00 piece
203	M-01300-00000-004	Steel rope DM=3,2 mm, 10,5 m	1.00 piece
300	F-00125-04000-001	Washer, DIN125, A4,3, galvanized	4.00 piece
301	F-00125-06000-001	Washer, DIN125, A6,4, galv.	3.00 piece
302	O-01100-00000-563	Safety screw M6x12, similiar to ISO 7380 TX, stainless st.	3.00 piece
303	F-00934-04000-001	Hexagon nut, DIN 934, M4, 8, verzinkt	2.00 piece
110	R-02350-07000-V01	Cutter CF300	

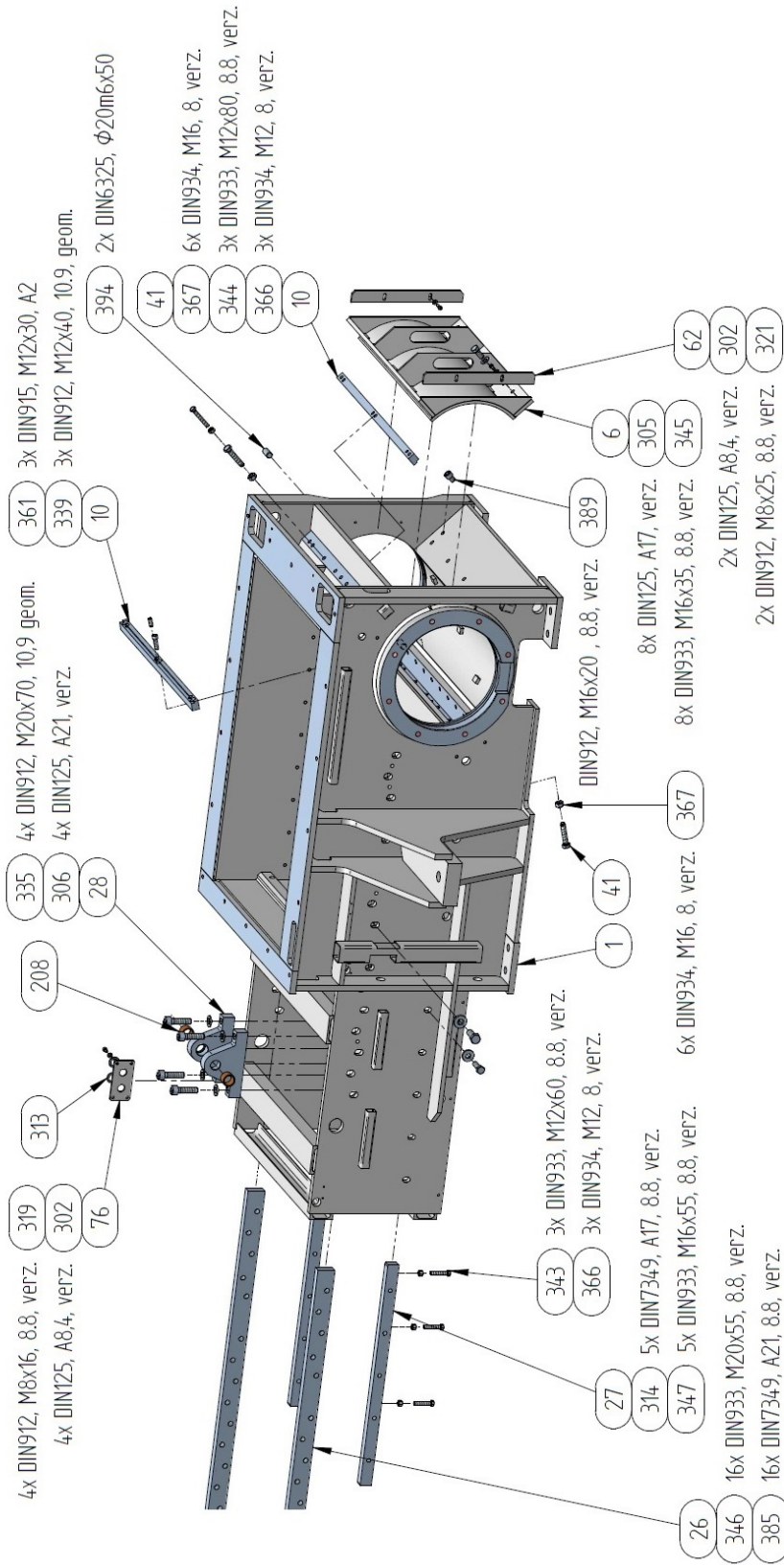
Item	Article	Designation	Quantity
1	R-02350-07001-V01	Other components for cutter CF200/300	

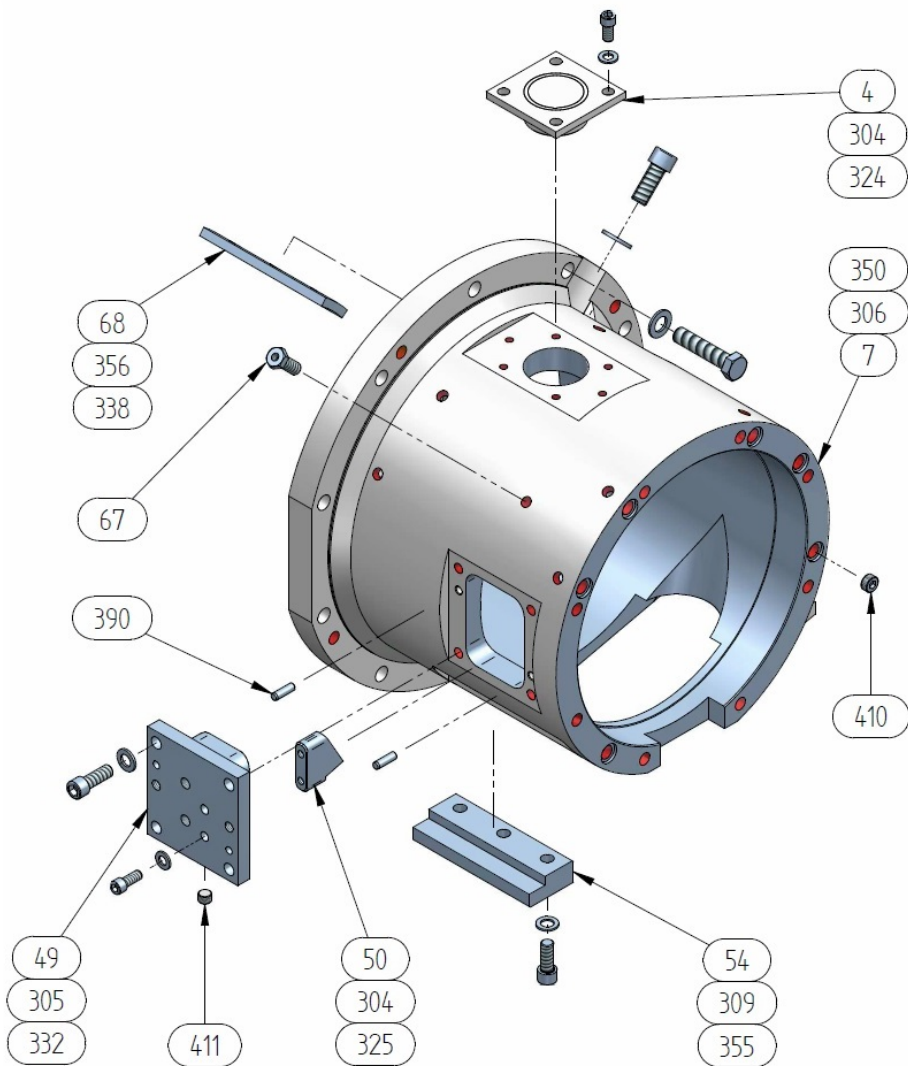
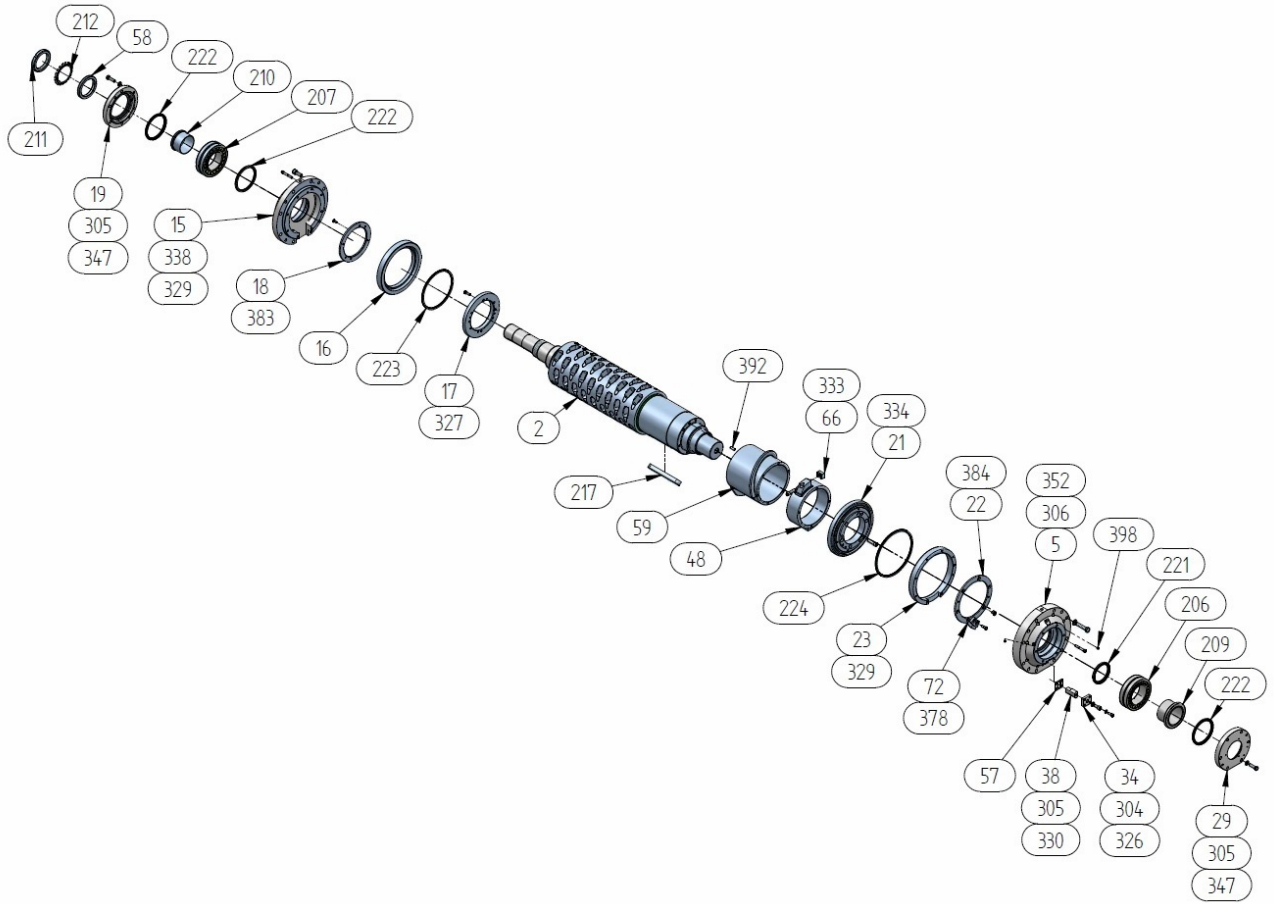


9	A-02350-07009-V01	Undercarriage cutter CF200/300	1.00 piece
13	A-02350-07013-V01	Tension bar CF200/300, asym.	1.00 piece
14	A-02350-07014-V00	Cover CF200/300	1.00 piece
25	A-02350-07025-V00	Plate for fixing cutter	4.00 piece
31	A-02350-07031-V00	Fixing angle for Deublin	1.00 piece
45	A-05050-60042-V00	Bracket (sensor)	2.00 piece

Item	Article	Designation	Quantity
53	A-02350-07053-V00	Distancesheet for cutter	4.00 piece
69	A-02350-03039-V08	Sealing strip above 26x25 - CF300	1.00 piece
70	A-02350-03043-V04	Pressure ledge CF200/300 (s=6mm)	1.00 piece
71	A-02350-03054-V00	Siphon pipe (knife shaft)	1.00 piece
83	A-02350-07093-V00	Dust bag connector	1.00 piece
84	A-02350-07106-V00	Angle for safety limit switch	1.00 piece
98	A-02350-07110-V00	distance strip - Air distributor - S-Gran	2.00 piece
214	D-07100-00000-029	Machine mount UMS8-DSF/20-2	4.00 piece
227	G-99100-00000-009	Vulcocell strip 20 x 10 x 500 mm NH 24 - 60	2.00 piece
229	H-01100-00000-029	Hydraulic power unit (S:GRAN)	1.00 piece
230	O-01100-00000-691	Safety screw M4x40, similiar to ISO 7380 TX-pin, stainless st.	4.00 piece
231	O-01100-00000-485	Bag clamp made from leather (Jacob)	1.00 piece
232	O-01100-00000-486	Dust bag ø300	1.00 piece
233	G-04000-00000-015	Seal strip 30x30x3000mm	1.00 piece
234	D-07100-00000-032	Vibration lagging plate	4.00 piece
235	O-01100-00000-673	Outlet filter 116,5x116,5	1.00 piece
246	F-01100-05012-001	Safety screw M5x12, similiar to ISO 7380 TX-pin, stainless st.	2.00 piece
300	F-00125-04000-001	Washer, DIN125, A4,3, galvanized	14.00 piece
301	F-00125-06000-001	Washer, DIN125, A6,4, galv.	12.00 piece
302	F-00125-08000-001	Washer, DIN 125, A8,4, galv.	2.00 piece
303	F-00125-10000-000	Washer, DIN 125, A10,5, galv.	4.00 piece
304	F-00125-05000-001	Washer, DIN 125, A5,3, galv.	2.00 piece
306	F-00125-21000-001	Washer, DIN 125, A21, galv.	8.00 piece
312	F-01300-16000-001	Locking disc SCHNORR VS16	8.00 piece
315	O-01100-00000-548	Safety screw M4x35, similiar to ISO 7380, TX-pin, stainless st.	4.00 piece
317	F-00912-06016-001	Hexagon socket head cap screw DIN 912, M6x16 8.8 galvanized	8.00 piece
318	F-00985-04000-001	Nut DIN 985 M4	4.00 piece
322	F-00912-10020-001	Hexagon socket head cap screw, DIN 912, M10x20, 8.8, galv.	4.00 piece
325	F-00912-12030-000	Hexagon socket head cap screw DIN 912, M12x30, 10.9 geom.	3.00 piece
333	F-00125-04000-001	Washer, DIN125, A4,3, galvanized	18.00 piece
340	F-00933-06010-001	Hexagon head screw, DIN 933, M6x10, 8.8, galv.	4.00 piece
341	F-00933-08016-001	Hexagon head screw, DIN 933, M8x16, 8.8, galv.	2.00 piece
348	F-00912-16060-002	Hexagon socket head cap screw DIN 912, M16x60,10.9 geom.	8.00 piece
349	F-00933-20045-001	Hexagon head screw DIN 933, M20x45 8.8	8.00 piece
360	F-00913-12060-001	Set screw DIN 913, M12x60 A2	6.00 piece
368	F-00934-20000-001	Hexagon nut DIN 934, M20, 8, galv.	16.00 piece
371	F-00439-12000-001	Hexagon nut DIN 439, M12, 8.8	6.00 piece
376	F-00975-20190-001	Screwed rod DIN 975 M 20 x 190	8.00 piece
394	F-06325-20050-001	Parallel pin DIN 6325, 20m6x50	2.00 piece
395	F-07380-04050-001	Hexagon socket button head screw ISO 7380, M4x50 10.9 galv.	4.00 piece
399	F-74412-10800-001	Lubrication nipple DIN 74412 1/8" 8.8	2.00 piece
400	J-06100-00000-003	Rotary cooling unit 355 (DEUBLIN)	1.00 piece
401	J-07100-00000-047	Hose nozzle, 337, AG, 1/2", DM 13mm, stainless	4.00 piece
402	J-07100-00000-091	Reducing bush, 325, 1"-1/2", stainless	1.00 piece
403	J-07100-00000-108	Hose clamp ABA 15-24	16.00 piece
404	J-07100-00000-146	Water hose CS 13, NW 13x4mm	8.00 m
405	J-07100-00000-336	Hose nozzle DN 13 mm	12.00 piece
407	L-05100-00000-034	Distributor ledge 3/8" with 3x1/4"	1.00 piece
408	L-05100-00000-059	distribution strip for air S-GRAN	1.00 piece
409	L-06100-00000-022	Male stud nipple M12x1/35	1.00 piece
412	H-07100-00000-007	Male stud coupling 3/8" NPT	11.00 piece
413	H-07100-00000-010	Male stud coupling 1/8"	2.00 piece
414	H-07100-00000-013	Bulkhead coupling 1/4" to 1/8"	2.00 piece
415	H-07100-00000-023	Reinforcing sleeve 5x3	2.00 piece
416	H-07100-00000-024	Male stud coupling 1/4" k	1.00 piece
418	L-07100-00000-032	Hexagon head screw plug 3,8" 3015	2.00 piece
419	H-07100-00000-056	Bulkhead coupling 90° D16	2.00 piece
420	H-07100-00000-057	Hydraulic hose 400mm (slider unit)	2.00 piece
421	H-07100-00000-058	Hydraulic hose 1200mm (slider unit)	2.00 piece
500	M-03100-00000-010	Proximity switch BES M12MI-PSC40B-S04G	3.00 piece
501	M-03100-00000-012	Proximity switch XT1M30PA372	2.00 piece
502	M-03300-00000-042	Temperature sensor FECU 10m (PTFE- cable coating)	1.00 piece
503	M-03700-00000-079	Security switch 2xNC XCS PA 792	1.00 piece
504	M-03700-00000-007	Operator XCS Z14 (housing)	2.00 piece
505	M-03700-00000-089	Safety switch 2xNC with interlocking 2xNC XCSTE7512	1.00 piece

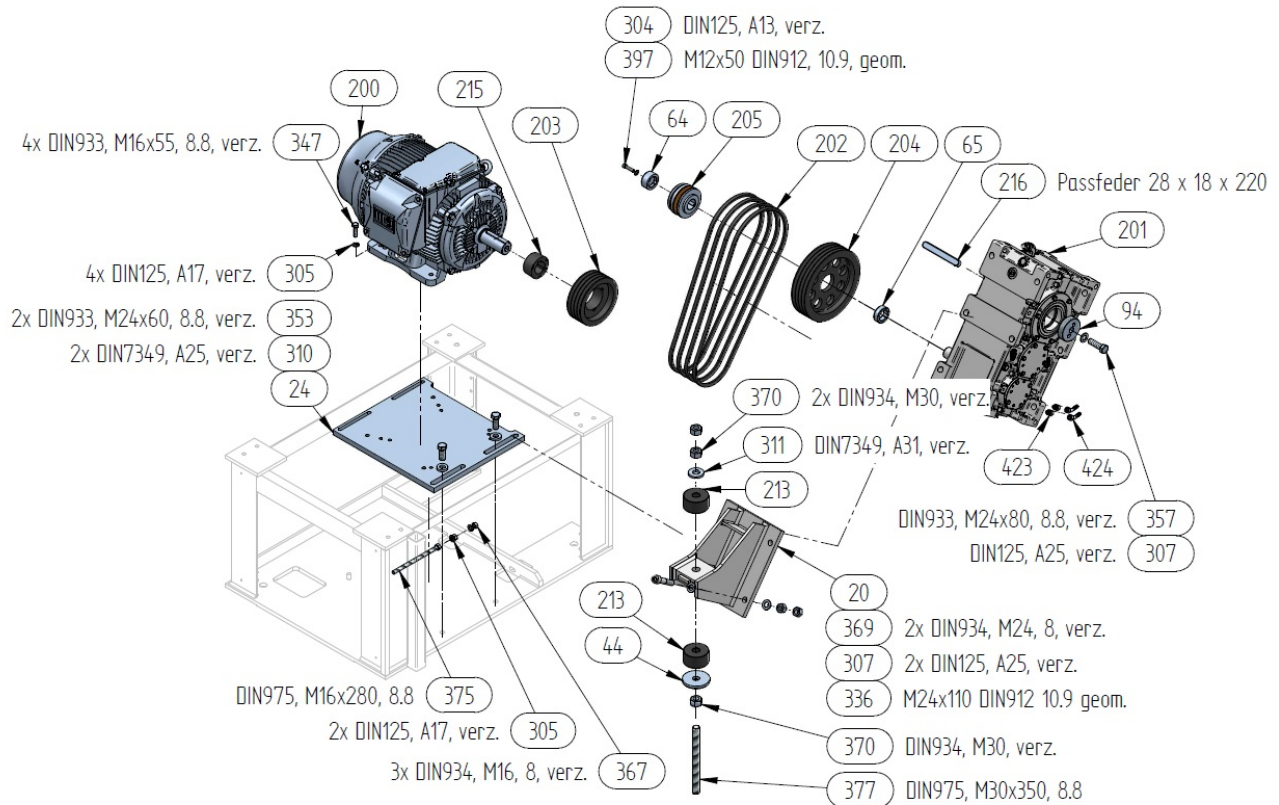
Item	Article	Designation	Quantity
2	R-02350-07002-V02	Cutter 200/300 and cuttershaft	





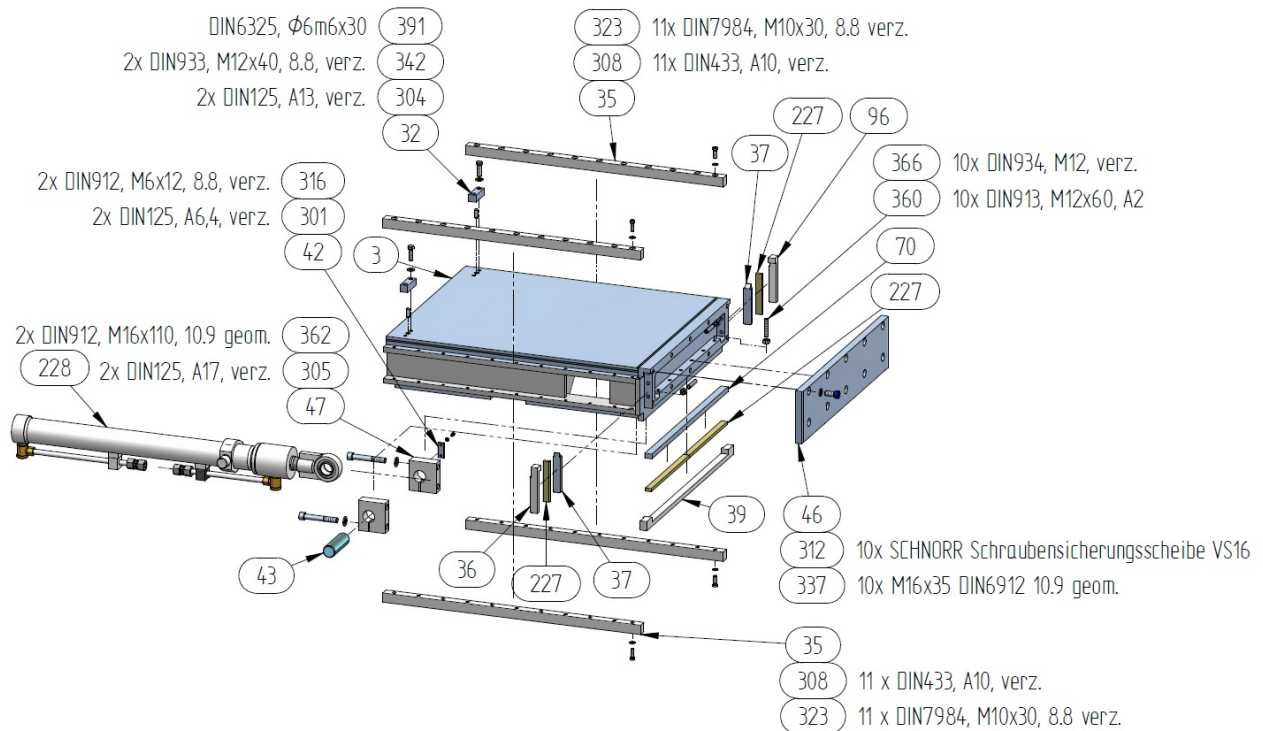
Item	Article	Designation	Quantity
2	A-02350-07002-V04	Knife shaft chilled	1.00 piece
4	A-02350-05003-V00	Bolt CF300	1.00 piece
5	A-02350-07005-V00	Bearing flange left (CF 200/300)	1.00 piece
6	A-02350-07006-V02	Protection hood CF200/300	1.00 piece
7	A-02350-07007-V20	Discharge pipe CF300	1.00 piece
10	A-02350-07010-V00	Support bar bottom (stationary knife)	2.00 piece
15	A-02350-07015-V00	Bearing flange right (CF 200/300)	1.00 piece
16	A-02350-07016-V00	Seal ring (housing CF200/300)	1.00 piece
17	A-02350-07017-V00	Seal ring shaft (CF200/300)	1.00 piece
18	A-02350-07018-V00	Ring left (CF200/300)	1.00 piece
19	A-02350-07019-V00	Bearing cover (gear box side)	1.00 piece
21	A-02350-07021-V00	Pressure ring (CF200/300)	1.00 piece
22	A-02350-07022-V00	Ring right (CF200/300)	1.00 piece
23	A-02350-07023-V00	Seal ring right (CF200/300)	1.00 piece
26	A-02350-07026-V04	Guide rail above for housing V04 and V05	2.00 piece
27	A-02350-07027-V01	Guide rail below	2.00 piece
28	A-02350-07028-V00	Bearing block	2.00 piece
29	A-02350-07029-V00	Bearing cover (extruder side)	1.00 piece
34	A-02350-07034-V00	Holding plate for scraper	1.00 piece
38	A-02350-07038-V00	Scraper (bearing)	1.00 piece
41	A-02350-07041-V00	Pressing screw (support bar)	12.00 piece
48	A-02350-06004-V01	Cutting sleeve	1.00 piece
49	A-02350-06006-V00	Cutting unit	1.00 piece
50	A-02350-06007-V00	Knife (cutting unit) CF200-700	1.00 piece
54	A-02350-05007-V01	Bracket (discharge pipe)	1.00 piece
57	A-02350-07057-V00	Spacer plate	1.00 piece
58	A-02350-01028-V00	Ferrule CF200/300	1.00 piece
59	A-02350-02009-V04	Screw sleeve with long key CF 200/300	1.00 piece
62	A-02350-07095-V00	sheet for protection hood	2.00 piece
66	A-02350-03026-V00	Knife (cutting sleeve) CF200-700	2.00 piece
67	A-02350-03035-V00	Screw (temperature sensor)	1.00 piece
68	A-02350-03036-V01	Key (sleeve) CF 200/300	1.00 piece
72	A-02350-04040-V00	Knife (pressure ring right)	1.00 piece
76	A-02350-07097-V00	Cover	1.00 piece
206	C-02200-00125-001	Self aligning roller bearing 23128CCK/C3W33	1.00 piece
207	C-02200-00125-002	Self aligning roller bearing 22226EK	1.00 piece
208	C-03100-00035-002	Slide bushing 35 x 41 x 30	2.00 piece
209	C-06100-00125-001	Adapter sleeve H3128	1.00 piece
210	C-06200-00125-001	Withdrawal sleeve AHX3126	1.00 piece
211	C-06300-00120-001	Shaft nut KM 24, M 120x2	1.00 piece
212	C-06400-00120-001	Locking plate MB 24	1.00 piece
217	E-06885-00000-006	Parallel key DIN 6885, 45 x 25 x 280	1.00 piece
221	G-02100-00125-001	Radial shaft seal NBR A125/150/12	1.00 piece
222	G-02100-00160-001	Radial shaft seal Viton 160/185/10	3.00 piece
223	G-02500-00283-001	Fins ring package 04/FK6 ASKD-283-262-8,3	1.00 piece
224	G-02500-00338-001	Fins ring package 04/FK6 ASKD-338-318-8,3	1.00 piece
302	F-00125-08000-001	Washer, DIN 125, A8,4, galv.	8.00 piece
304	F-00125-13000-001	Washer DIN 125, A13, galvanized	10.00 piece
305	F-00125-17000-001	Washer, DIN 125, A17, galv.	19.00 piece
306	F-00125-21000-001	Washer, DIN 125, A21, galv.	22.00 piece
309	F-00433-17000-001	Washer DIN 433, 17, galv.	3.00 piece
313	F-01300-25000-001	Locking disc SCHNORR VS24	2.00 piece
314	F-07349-17000-001	Washer DIN 7349, 17, 8.8	10.00 piece
319	F-00912-08016-003	Hexagon socket head cap screw DIN 912, M8x16 8.8 galvanized	4.00 piece
321	F-00912-08025-001	Hexagon socket head cap screw DIN 912, M8x25 8.8	4.00 piece
324	F-00912-12025-001	Hexagon socket head cap screw, DIN 912, M12x25, 8.8, galvanized	4.00 piece
325	F-00912-12030-000	Hexagon socket head cap screw DIN 912, M12x30, 10.9 geom.	2.00 piece
326	F-00912-12030-001	Hexagon socket head cap screw, DIN 912, M12x30, 8.8, galv.	4.00 piece
327	F-00912-12035-003	Hexagon socket head cap screw DIN 912, M12x35, 10.9, geom.	4.00 piece
329	F-00912-12080-001	Hexagon socket head cap screw DIN 912, M12x80,10.9, blue	16.00 piece
330	F-00912-16035-001	Hexagon socket head cap screw DIN 912, M16x35, 8.8	1.00 piece
332	F-00912-16045-001	Hexagon socket head cap screw DIN 912, M16x45,10.9 geom.	4.00 piece
334	F-00912-16060-001	Hexagon socket head cap screw DIN 912, M16x60, 8.8, galv.	6.00 piece
335	F-00912-20070-001	Hexagon socket head cap screw DIN 912, M20x70, 10.9 geom.	4.00 piece
338	F-00912-20050-001	Hexagon socket head cap screw DIN 912, M20x50, 10.9, geom.	11.00 piece
339	F-00912-12040-001	Hexagon socket head cap screw DIN 912, M12x40,10.9, geom.	3.00 piece
343	F-00933-12060-001	Hexagon head screw DIN 933, M12x60 galvanized	6.00 piece
344	F-00933-12080-001	Hexagon head screw DIN 933, M12x80, 8.8	3.00 piece
345	F-00933-16035-001	Hexagon head screw, DIN 933, M16x35, 8.8, galvanized	10.00 piece
346	F-00933-20055-001	Hexagon head screw DIN 933, M20x55, 8.8, galv.	32.00 piece
347	F-00933-16055-001	Hexagon head screw DIN 933, M16x55 8.8, galvanized	22.00 piece
350	F-00933-20080-001	Hexagon head screw DIN 933, M20x80, 8.8, galvanized	10.00 piece
352	F-00933-20090-001	Hexagon head screw DIN 933, M20x90, 10.9 geom.	8.00 piece
355	F-00912-16040-004	Hexagon socket head cap screw DIN 912, M16x40, 10.9, geom.	3.00 piece
356	F-00134-20000-001	Washer DIN 134, 20, 8.8	3.00 piece
361	F-00915-12030-001	Set screw DIN 915 H, M12x30, A2	3.00 piece

Item	Article	Designation	Quantity
366	F-00934-12000-001	Hexagon nut DIN 934, M12, 8, galvanized	9.00 piece
367	F-00934-16000-001	Hexagon nut DIN 934, M16, 8 galvanized	12.00 piece
378	F-00610-12035-001	Fitting screw DIN 610 M12x35	2.00 piece
383	F-07991-10025-001	Hexagon socket countersunk screw DIN 7991, M10x25,10.9	4.00 piece
384	F-07991-12025-001	Hexagon socket countersunk screw DIN 7991, M12x25,10.9	6.00 piece
385	F-07349-21000-001	Washer DIN 7349, 21, galvanized	32.00 piece
389	F-00912-16020-001	Hexagon socket head cap screw DIN 912, M16x20 , 8.8 galvanized	2.00 piece
390	F-06325-10035-001	Parallel pin DIN 6325, D10m6x35	2.00 piece
392	F-06325-12040-001	Parallel pin DIN 6325, D12m6x40	2.00 piece
394	F-06325-20050-001	Parallel pin DIN 6325, 20m6x50	2.00 piece
398	F-74412-08000-001	Lubrication nipple, DIN 71412, M8, 8.8	2.00 piece
410	L-07100-00000-024	Hexagon head screw plug 1/2" DIN 906	6.00 piece
411	L-07100-00000-032	Hexagon head screw plug 3/8" 3015	1.00 piece
3	R-02350-07003-V03	Drive cutter 095)	



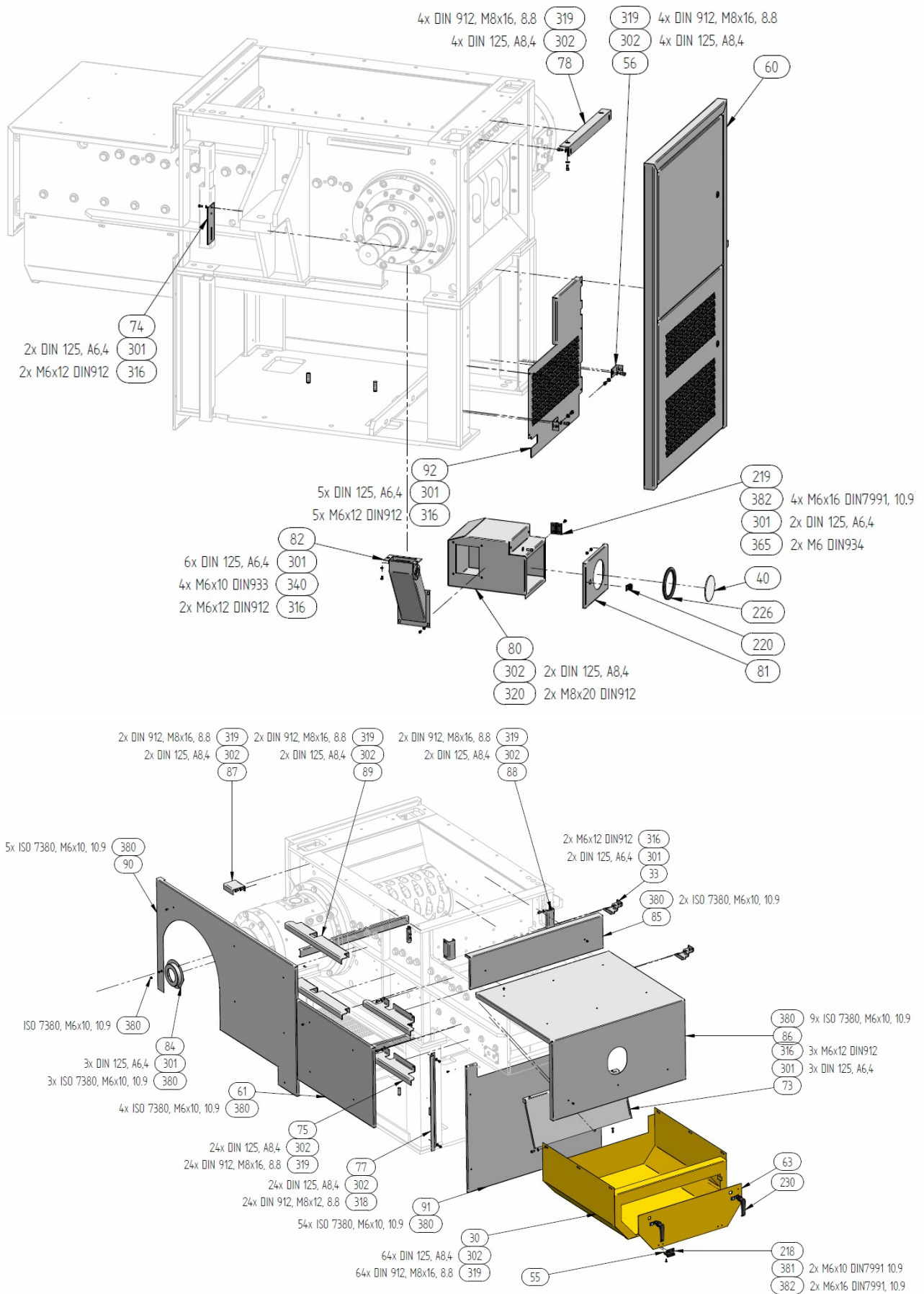
20	A-02350-07020-V00	Bracket (gear box GSM RXP2/810)	1.00 piece
24	A-02350-07024-V01	Motor plate CF200/300	1.00 piece
44	A-02460-02034-V00	Disc 120/31x15, CF 200-700	1.00 piece
64	A-02350-02039-V01	Adapter sleeve CF 200/300	1.00 piece
65	A-02350-02040-V00	Distance sleeve, CF200/300	1.00 piece
200	B-01100-00370-013	Motor Cutter CF300, 37 kW, 1480 U/min W22 (IE3)	1.00 piece
201	B-02002-00990-007	Gear box RXP2/810 (CF300, with cooling coil)	1.00 piece
202	B-03100-01950-002	V-belt XPB, l = 1950 mm	4.00 piece
203	B-04104-00150-001	V-belt pulley, D=150,TL2517, SPB	1.00 piece
204	B-04104-00335-002	V-belt pulley SPB D=335, 4x	1.00 piece
205	B-05005-00000-015	Sliding hub Gr. 4-3TF	1.00 piece
213	D-07100-00000-003	PU bushing D=110,7/32x60mm	2.00 piece
216	A-02350-07109-V00	Parallel key 28 x 18 x 220	1.00 piece
304	F-00125-13000-001	Washer DIN 125, A13, galvanized	1.00 piece
305	F-00125-17000-001	Washer, DIN 125, A17, galv.	8.00 piece
307	F-00125-25000-001	Washer, DIN 125, A25, galv.	9.00 piece
310	F-07349-25000-001	Washer DIN 7349, 25, galvanized	2.00 piece
311	F-07349-31000-001	Washer DIN 7349, 31, galvanized	1.00 piece
336	F-00912-24110-002	Hexagon socket head cap screw DIN 912, M24x110, 10.9 geom.	4.00 piece
347	F-00933-16055-001	Hexagon head screw DIN 933, M16x55 8.8, galvanized	4.00 piece
353	F-00933-24060-001	Hexagon head screw DIN 933, M24x60, 8.8 galvanized	2.00 piece
357	F-00933-24080-001	Hexagon head screw, DIN 933, M24x80, 8.8, galv.	1.00 piece
367	F-00934-16000-001	Hexagon nut DIN 934, M16, 8 galvanized	6.00 piece
369	F-00934-24000-001	Hexagon nut, DIN 934, M24, 8, galv.	8.00 piece
370	F-00934-30000-001	Hexagon nut, DIN 934, M30, 8, galv.	4.00 piece
375	F-00975-16280-001	Screwed rod DIN 975 M16 x 280	2.00 piece
377	F-00975-30350-001	Screwed rod DIN 975 M30 x 350, 8.8	1.00 piece
397	F-00912-12050-000	Hexagon socket head cap screw DIN 912, M12x50,10.9, geom.	1.00 piece
423	L-07100-00000-085	Fitting straight GE 12-PL/R 1/4"	2.00 piece
424	J-07100-00000-353	Bow 45° (incl. o-ring, nut)	2.00 piece

Item	Article	Designation	Quantity
	E-01001-02517-007	Taper-lock, 2517/60	1.00 piece
4	R-02350-07004-V03	Slider unit for CF300 with overlength sealing strip	



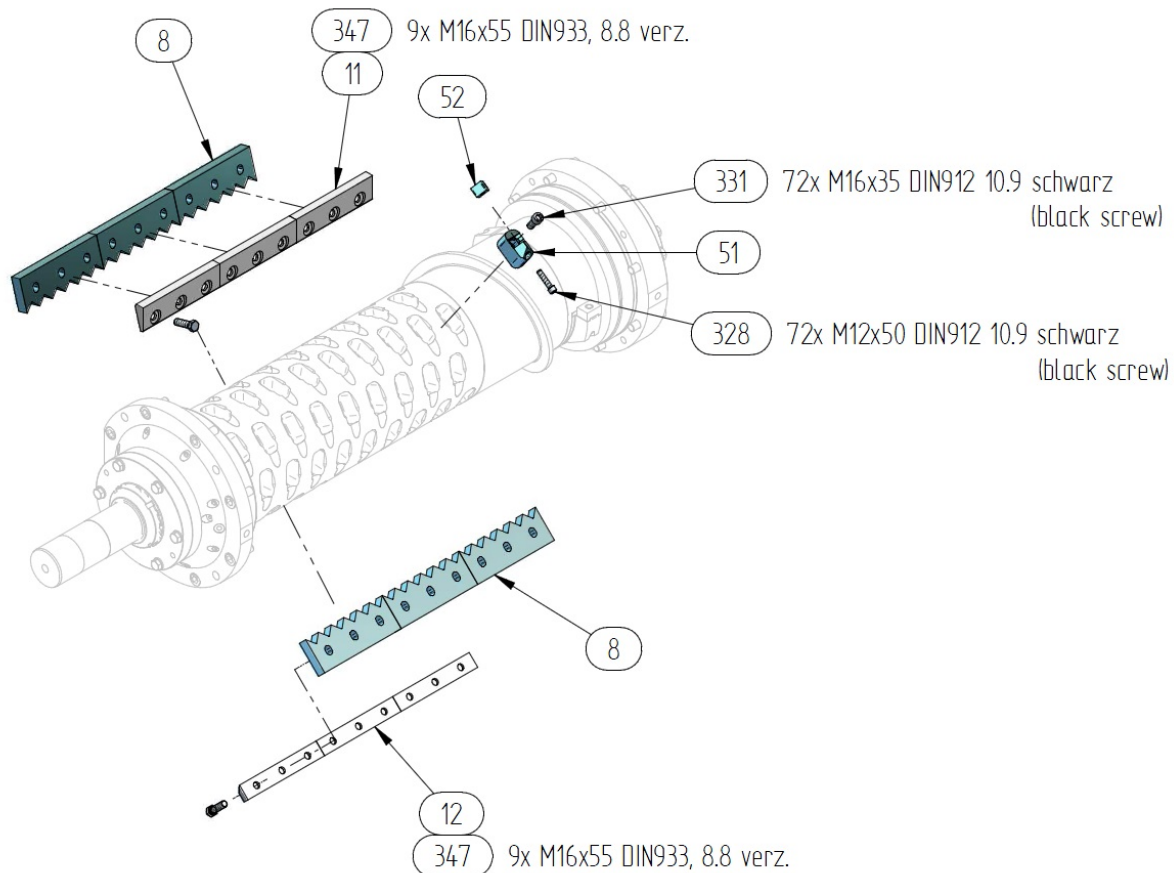
3	A-02350-07003-V01	Slider unit CF200/300	1.00 piece
32	A-02280-01049-V00	Lock washer	2.00 piece
35	A-02350-07035-V02	Sliding strip , PAS-LX, CF300, l=868mm, b=30mm	4.00 piece
36	A-02350-07036-V03	Sealing strip sidewise for CF300, left	1.00 piece
37	A-02350-07037-V01	Pressure ledge sidewise, long version	2.00 piece
39	A-02350-07039-V01	Sealing strip bottom for CF300, wide version	1.00 piece
42	A-02460-02014-V00	Locking plate CF 200 - 700	1.00 piece
43	A-02460-02015-V00	Bolt, CF200-700	1.00 piece
46	A-02350-07046-V01	Cover sheet (slider unit)	1.00 piece
47	A-02350-07047-V00	Clamping block	2.00 piece
70	A-02350-03043-V01	Pressure ledge CF200/300	1.00 piece
96	A-02350-07036-V13	Sealing strip sidewise for CF300, right	1.00 piece
227	G-99100-00000-009	Vulcocell strip 20 x 10 x 500 mm NH 24 - 60	2.00 piece
228	H-02200-00000-037	Hydraulic cylinder 770 mm	1.00 piece
301	F-00125-06000-001	Washer, DIN125, A6,4, galv.	2.00 piece
304	F-00125-13000-001	Washer DIN 125, A13, galvanized	4.00 piece
305	F-00125-17000-001	Washer, DIN 125, A17, galv.	4.00 piece
308	F-00433-10000-001	Washer DIN 433, 10,5, galv.	44.00 piece
312	F-01300-16000-001	Locking disc SCHNORR VS16	10.00 piece
316	F-00912-06012-001	Hexagon socket head cap screw, DIN 912, M6x12, 8.8, galv.	2.00 piece
323	F-07984-10030-001	Hexagon socket head cap screw DIN 7984, M10x30 8.8 galvanized	44.00 piece
337	F-06912-16035-001	Hexagon socket head cap screw DIN 6912, M16x35,10.9 geom.	10.00 piece
342	F-00933-12040-001	Hexagon head screw DIN 933, M12x40, 8.8, galv.	4.00 piece
360	F-00913-12060-001	Set screw DIN 913, M12x60 A2	10.00 piece
362	F-00912-16110-001	Hexagon socket head cap screw DIN 912, M16x110, 10.9 geom.	4.00 piece
366	F-00934-12000-001	Hexagon nut DIN 934, M12, 8, galvanized	10.00 piece
391	F-06325-12030-000	Parallel pin DIN 6325, D12m6x30	2.00 piece

Item	Article	Designation	Quantity
5	R-02350-07005-V02	Covers for cutter CF300	



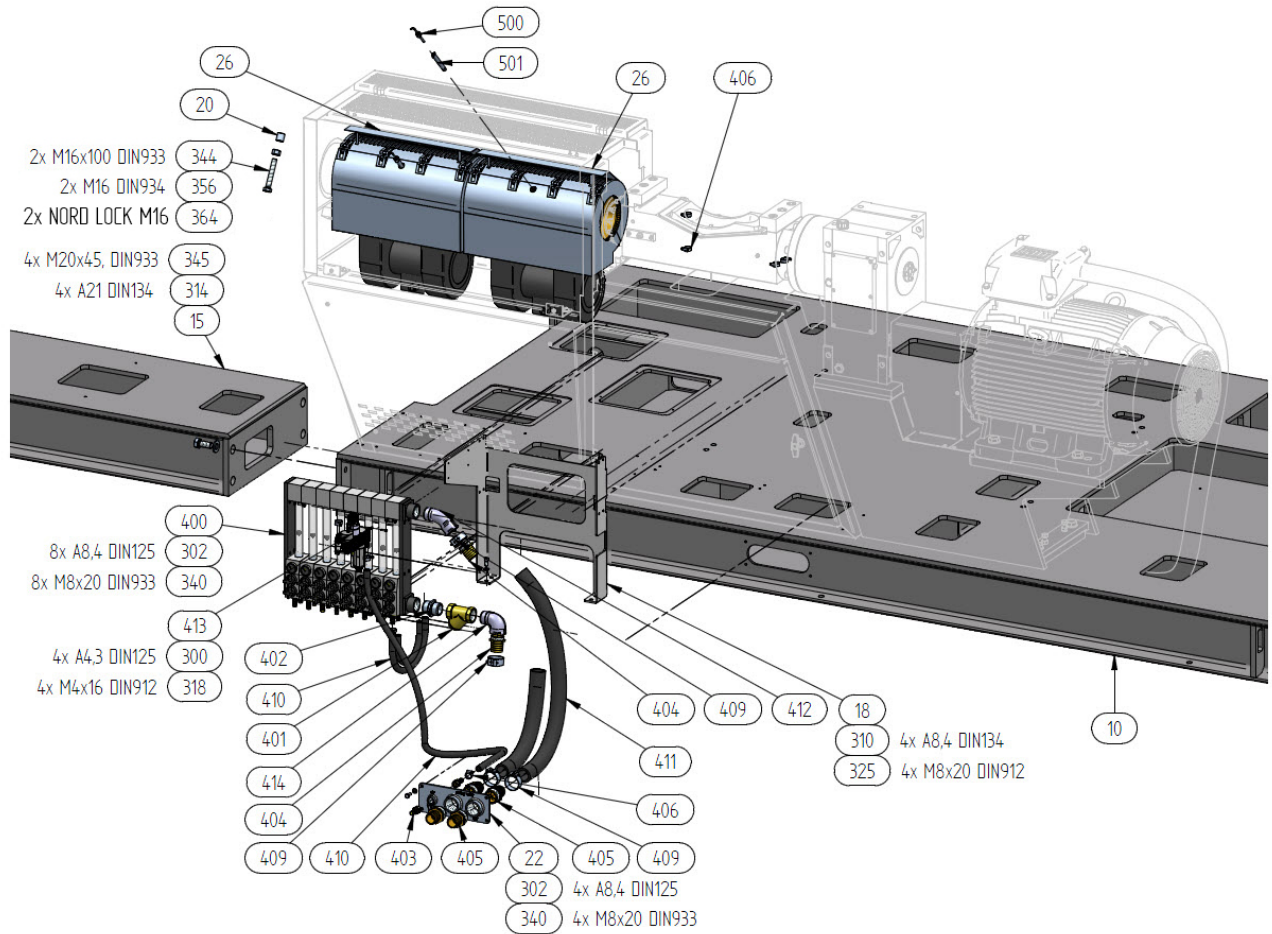
30	A-02350-07030-V01	Dust cover	1.00 piece
33	A-02280-01050-V01	Clamp for proximity switch	2.00 piece
40	A-02350-07040-V00	Sight glass for dust box	1.00 piece
55	A-02280-01058-V00	Distance sheet (frame joint)	2.00 piece
56	A-02280-01067-V01	Fixing angle cover bottom	2.00 piece
60	A-02350-07060-V02	maintenance door cutter	1.00 piece
61	A-02350-07094-V00	Cover slider unit sideways	1.00 piece

Item	Article	Designation	Quantity
63	A-02350-07063-V01	Cover for dust bin backside	1.00 piece
73	A-02350-07073-V01	Dust gravity chute	1.00 piece
74	A-02350-04049-V00	Bracket (initiator)	1.00 piece
75	A-02460-05077-V00	Fixing angle for cover middle	2.00 piece
77	A-02350-07077-V00	Fixing angle for covver cutter backside	2.00 piece
78	A-02350-07078-V01	Fixing angle for maintenance door	1.00 piece
80	A-02350-07080-V00	Dustbox	1.00 piece
81	A-02350-07081-V00	Door for dustbox	1.00 piece
82	A-02350-07082-V00	Dustslide	1.00 piece
84	A-02350-07084-V00	Protective cover (Deublin)	1.00 piece
85	A-02350-07085-V00	cover for hopper (back side)	1.00 piece
86	A-02350-07086-V00	Cover slider unit	1.00 piece
87	A-02350-07087-V00	Fixing angle for cover short	1.00 piece
88	A-02350-07088-V00	Fixing angle (cover)	2.00 piece
89	A-02350-07089-V00	Fixing angle (cover) U-shape	2.00 piece
90	A-02350-07090-V00	Cover (Cutter sideways)	1.00 piece
91	A-02350-07091-V00	Cover cutter backside	1.00 piece
92	A-02350-07092-V00	cover sheet maintenance door	1.00 piece
218	F-01400-00000-006	Hinge 50x76 schwarz	2.00 piece
219	F-01400-00000-007	Hinge 50x50 schwarz	2.00 piece
220	F-01400-00000-025	Sash fastener	1.00 piece
226	G-04000-00000-012	Rubber clamp profile P030004 and P031002	1.00 m
230	O-01100-00000-324	Handle bar 200-0524/200-9401	2.00 piece
301	F-00125-06000-001	Washer, DIN125, A6,4, galv.	27.00 piece
302	F-00125-08000-001	Washer, DIN 125, A8,4, galv.	34.00 piece
316	F-00912-06012-001	Hexagon socket head cap screw, DIN 912, M6x12, 8.8, galv.	18.00 piece
318	F-00912-08012-001	Hexagon socket head cap screw, DIN 912, M8x12, 8.8, galv.	4.00 piece
319	F-00912-08016-003	Hexagon socket head cap screw DIN 912, M8x16 8.8 galvanized	28.00 piece
320	F-00912-08020-001	Hexagon socket head cap screw DIN 912, M8x20 8.8 galvanized	2.00 piece
340	F-00933-06010-001	Hexagon head screw, DIN 933, M6x10, 8.8, galv.	2.00 piece
365	F-00934-06000-001	Hexagon nut DIN 934, M6, 8 galvanized	4.00 piece
380	F-07380-06010-001	Hexagon socket button head screw ISO 7380, M6x10 8.8 galvan.	30.00 piece
381	F-07991-06010-001	Hexagon socket countersunk screw DIN 7991, M6x10, 10.9	4.00 piece
382	F-07991-06016-001	Hexagon socket countersunk screw DIN 7991, M6x16, 10.9	12.00 piece
6	R-02350-07006-V01	Stationary knives and rotor knives CF200/300	



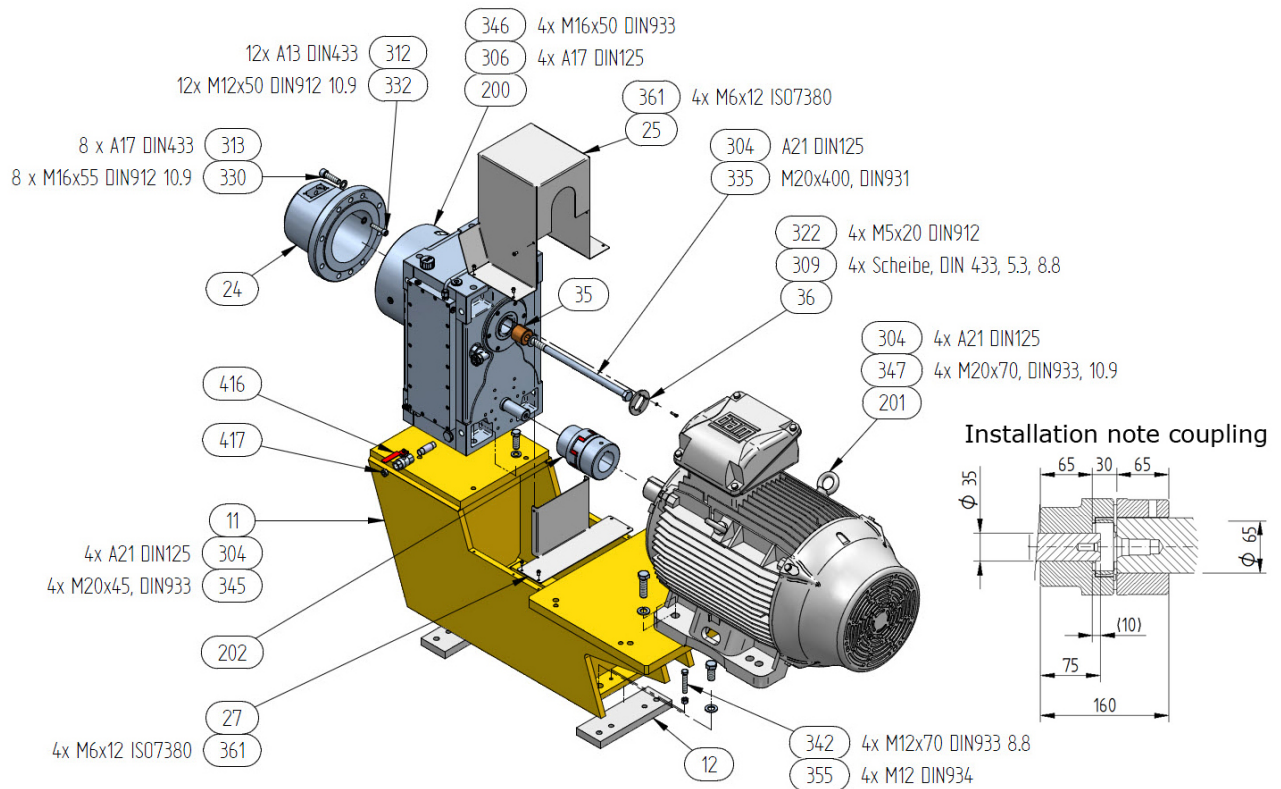
8	A-02350-07008-V00	Stationary knife CF 200-700	6.00 piece
11	A-02350-07011-V00	Cover plate for stationary knife bottom	3.00 piece
12	A-02350-07012-V00	Cover plate for stationary knife top	3.00 piece
51	A-02350-07051-V00	Knife holder CF200-300	72.00 piece
52	A-02350-07052-V00	Rotor knife 30/30/25 (CF200-700)	72.00 piece
328	F-00912-12050-001	Hexagon socket head cap screw DIN 912, M12x50,10.9	72.00 piece
331	F-00912-16035-002	Hexagon socket head cap screw DIN 912, M16x35,10.9, black	72.00 piece

Item	Article	Designation	Quantity
347	F-00933-16055-001	Hexagon head screw DIN 933, M16x55 8.8, galvanized	18.00 piece
160	R-03075-04000-V00	Extruder Ø75 complete (21xD)	
1	R-03075-04001-V00	Other components for extruder Ø75 (21xD)	



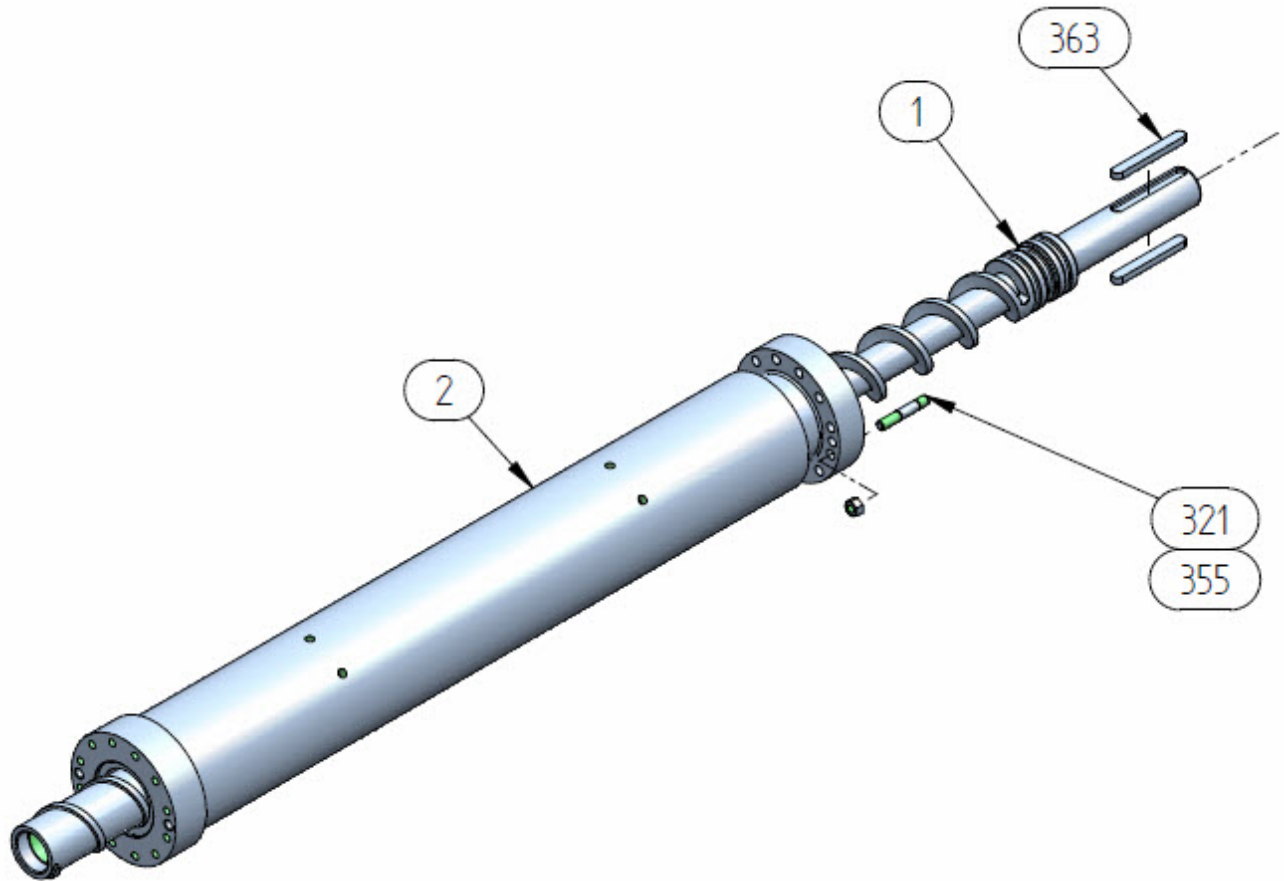
10	A-03065-05001-V05	Base frame E65, E75 modular	1.00 piece
15	A-03075-04015-V00	Extension base frame S-75V	1.00 piece
18	A-03095-04029-V03	bracket for water distributor	1.00 piece
20	A-03095-04021-V00	Support plate	2.00 piece
22	A-03065-04036-V00	Multiple connection plate	1.00 piece
26	A-03095-04028-V10	Heater-cooling unit 150/480 480V	2.00 piece
37	A-99065-03002-V00	Tool for venting unit S/L	1.00 piece
38	A-99065-03003-V00	Support for venting tool	1.00 piece
300	F-00125-04000-001	Washer, DIN125, A4,3, galvanized	4.00 piece
302	F-00125-08000-001	Washer, DIN 125, A8,4, galv.	12.00 piece
310	F-00134-08000-001	Washer DIN 134, 8,4, 8 galvanized	4.00 piece
318	F-00912-04016-001	Hexagon socket head cap screw DIN 912, M4x16 8.8	4.00 piece
325	F-00912-08020-001	Hexagon socket head cap screw DIN 912, M8x20 8.8 galvanised	4.00 piece
340	F-00933-08020-001	Hexagon head screw DIN 933, M8x20, 8.8 galvanized	12.00 piece
344	F-00933-16100-001	Hexagon head screw, DIN 933, M16x100, 8.8, galv.	2.00 piece
356	F-00934-16000-001	Hexagon nut DIN 934, M16, 8 galvanised	2.00 piece
364	F-01300-16004-001	NORD LOCK screw lock M16	2.00 piece
400	J-05100-00000-013	Flow control 301	1.00 piece
401	J-05100-00000-021	Water filter 170-5/4"	1.00 piece
402	J-07100-00000-002	Double nipple, 340, 5/4", stainless	1.00 piece
403	J-07100-00000-047	Hose nozzle, 337, AG, 1/2", DM 13mm, stainless	2.00 piece
404	J-07100-00000-098	Hose nozzle, 337, 5/4", DM 38mm, stainless	2.00 piece
405	J-07100-00000-100	Hose nozzle, 337, 6/4", DM 38mm, stainless	4.00 piece
406	J-07100-00000-108	Hose clamp ABA 15-24	23.00 piece
409	J-07100-00000-586	Hose clamp ABA 43-47	4.00 piece
410	J-07100-00000-146	Water hose CS 13, NW 13x4mm	1.00 m
411	J-07100-00000-144	Universal hose Uniflex 10C, NW 38mm / 1 1/2"	1.00 m
412	J-07100-00000-472	Angle 45°, 303, 5/4", stainless	1.00 piece
413	L-05100-00000-050	Maintenance Unit pneumatic	1.00 piece
414	J-07100-00000-351	Angle 90°, 304, 5/4", stainless	1.00 piece
500	M-03300-00000-042	Temperature sensor FECU 10m (PTFE- cable coating)	2.00 piece
501	L-06100-00000-021	Male stud nipple M12x1/100 mm	2.00 piece

Item	Article	Designation	Quantity
2	R-03075-04002-V01	Drive Extruder 55/75kW+160er Zambello	



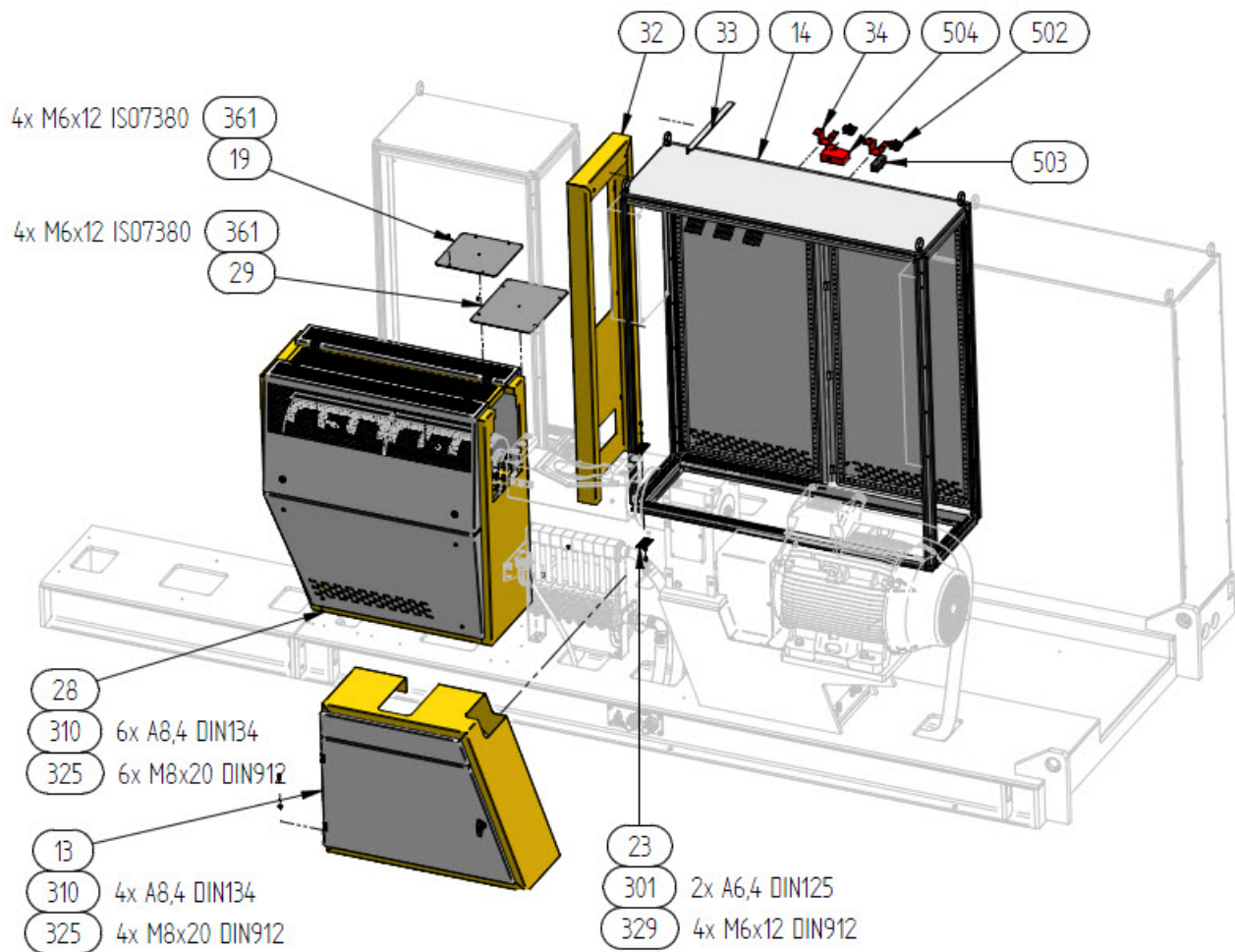
11	A-03075-04002-V01	Bracket ZPE2/160	1.00	piece
12	A-03095-04046-V00	Weldment plate gear box bracket	2.00	piece
24	A-03075-04010-V00	Gear box flange for ZPE2/160	1.00	piece
25	A-03075-04009-V01	Clutch cover 160	1.00	piece
27	A-03095-04044-V00	Clutch cover brace	1.00	piece
35	A-03085-02023-V00	Distance sleeve	1.00	piece
36	A-03075-04011-V00	Locking plate for ZPE2/160	1.00	piece
200	B-02001-00750-005	Gear box ZPE2/160/B-B7 (extruder)	1.00	piece
201	B-01100-00750-012	Motor Cu./Ex. CF500/85er, 75 kW, 1480 U/min, W22 (IE3)	1.00	piece
202	B-05002-00000-020	Shaft coupling ROTEX 55	1.00	piece
304	F-00125-21000-001	Washer, DIN 125, A21, galv.	9.00	piece
306	F-00125-17000-001	Washer, DIN 125, A17, galv.	4.00	piece
309	F-00433-05000-001	Washer DIN 433, 5.3, galvanized	4.00	piece
312	F-00433-13000-001	Washer DIN 433, 13, galv.	12.00	piece
313	F-00433-17000-001	Washer DIN 433, 17, galv.	8.00	piece
322	F-00912-05020-001	Hexagon socket head cap screw, DIN 912, M5x20 8.8	4.00	piece
330	F-00912-16055-001	Hexagon socket head cap screw DIN 912, M16x55,10.9	8.00	piece
332	F-00912-12050-001	Hexagon socket head cap screw DIN 912, M12x50,10.9	12.00	piece
335	F-00931-20400-001	Hexagon head screw DIN 931, M20x400 8.8	1.00	piece
342	F-00933-12070-001	Hexagon head screw, DIN 933, M12x70, 8.8, galv.	4.00	piece
345	F-00933-20045-001	Hexagon head screw DIN 933, M20x45 8.8	4.00	piece
346	F-00933-16050-001	Hexagon head screw DIN 933, M16x50 8.8 galvanized	4.00	piece
347	F-00933-20070-002	Hexagon head screw DIN 933, M20x70, 10.9	4.00	piece
355	F-00934-12000-001	Hexagon nut DIN 934, M12, 8, galvanized	4.00	piece
361	F-07380-06012-001	Hexagon socket button head screw ISO 7380, M6x12, 8.8 galv.	10.00	piece
416	J-05100-00000-004	Ball valve, 1/2", stainless	1.00	piece
417	L-07100-00000-024	Hexagon head screw plug 1/2" DIN 906	1.00	piece

Item	Article	Designation	Quantity
4	R-03075-04004-V00	Screw and barrel for extruder Ø75 (21xD)	



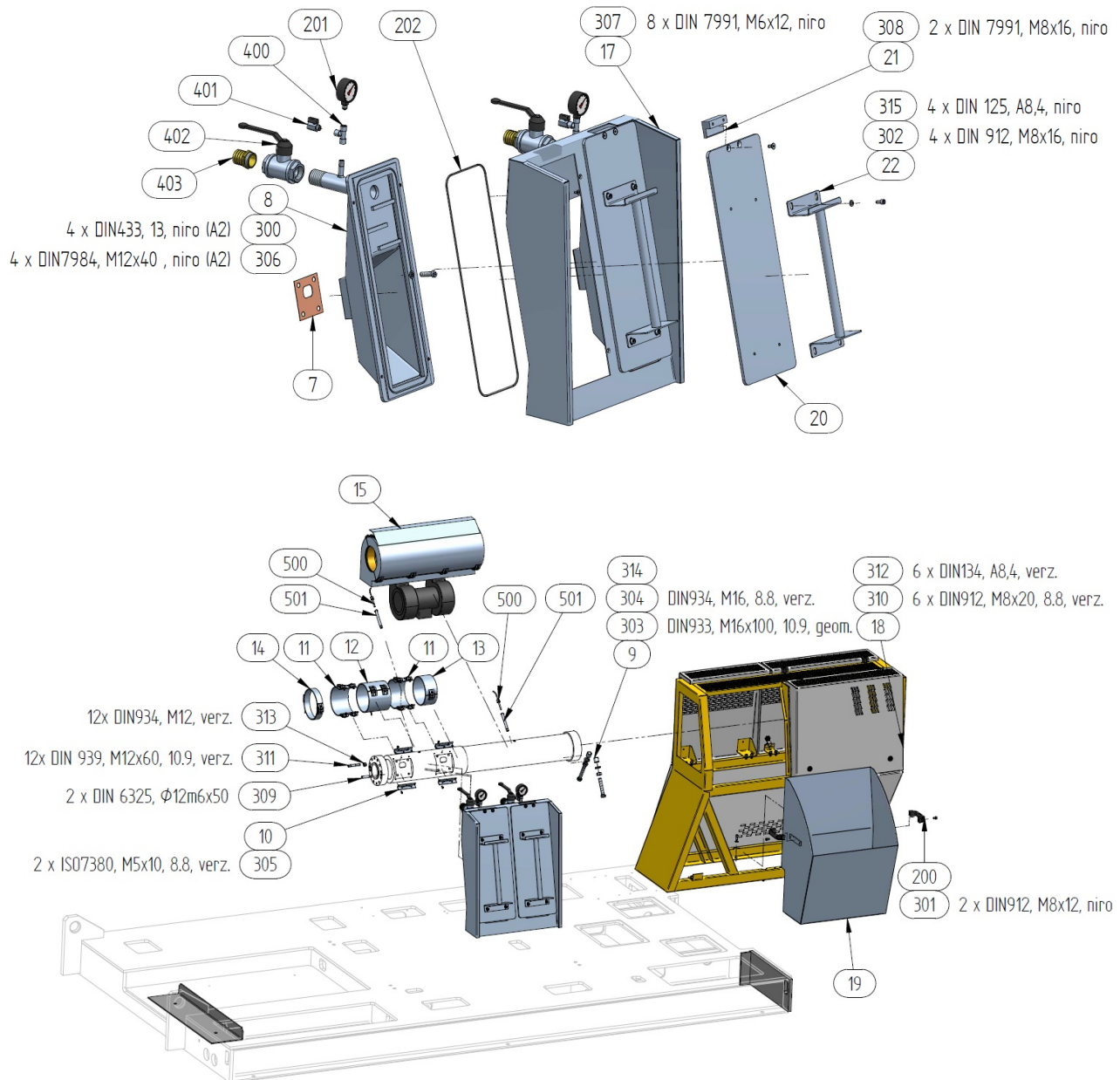
1	A-03075-03001-V09	Screw-extruder, 21D, 75/12/3,5 (75kW)	1.00 piece
2	A-03075-01002-V01	Cylinder bimetal 1130mm	1.00 piece
321	F-00939-12060-001	Stud DIN 939, M12x60,10.9	12.00 piece
355	F-00934-12000-002	Hexagon nut DIN 934, M12, 10.9	12.00 piece

Item	Article	Designation	Quantity
5	R-03075-04005-V00	Covers for extruder Ø75 (21xD)	



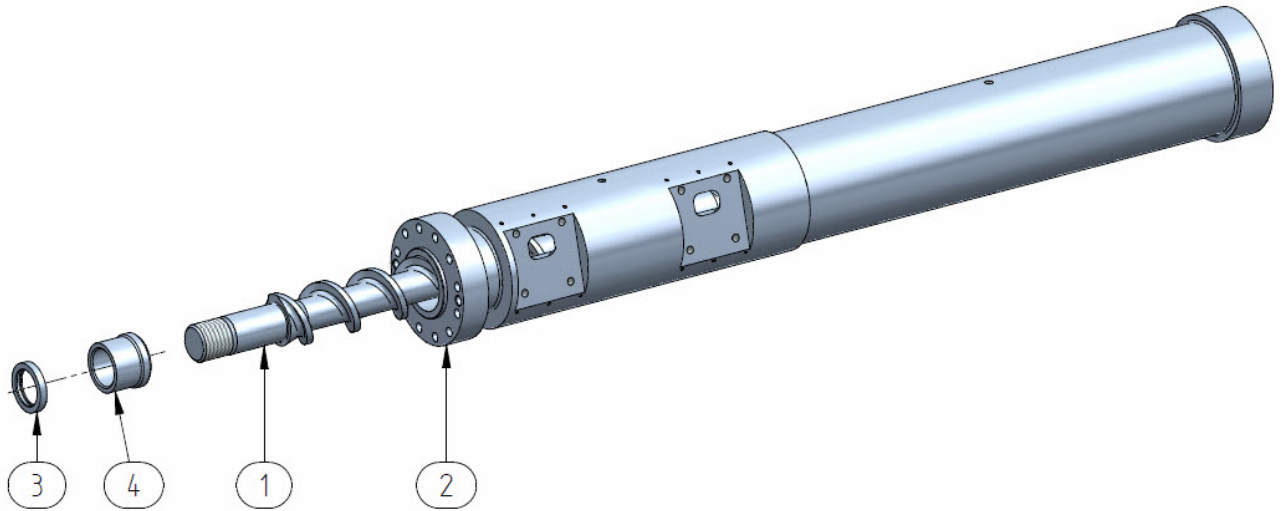
13	A-03095-04040-V00	Water distribution box complete	1.00 piece
14	A-03095-04045-V00	Cover (gear box cutter)	1.00 piece
19	A-03095-04014-V00	Cover sheet large (base frame)	2.00 piece
23	A-03065-03008-V00	Covering fence	2.00 piece
28	A-03075-04003-V00	Cover complete (E75) Redesign	1.00 piece
29	A-03065-04005-V00	Cover for cable channel (395x295mm)	1.00 piece
32	A-03095-04022-V01	Cover center (gear box)	1.00 piece
33	A-03095-04048-V00	Fixing angle	2.00 piece
34	A-99065-01003-V01	Angle for safety switch	2.00 piece
203	M-04100-00000-031	mounting brackets for Rittal TS-cabinet	4.00 piece
301	F-00125-06000-001	Washer, DIN125, A6,4, galv.	4.00 piece
310	F-00134-08000-001	Washer DIN 134, 8,4, 8 galvanized	8.00 piece
325	F-00912-08020-001	Hexagon socket head cap screw DIN 912, M8x20 8.8 galvanised	8.00 piece
329	F-00912-06012-001	Hexagon socket head cap screw, DIN 912, M6x12, 8.8, galv.	4.00 piece
361	F-07380-06012-001	Hexagon socket button head screw ISO 7380, M6x12, 8.8 galv.	12.00 piece
502	M-03700-00000-007	Operator XCS Z14 (housing)	2.00 piece
503	M-03700-00000-079	Security switch 2xNC XCS PA 792	1.00 piece
504	M-03700-00000-089	Safety switch 2xNC with interlocking 2xNC XCSTE7512	1.00 piece
275	R-07075-02000-V00	Venting unit Ø75	

Item	Article	Designation	Quantity
1	R-07075-02001-V00	Other components for venting unit Ø85	



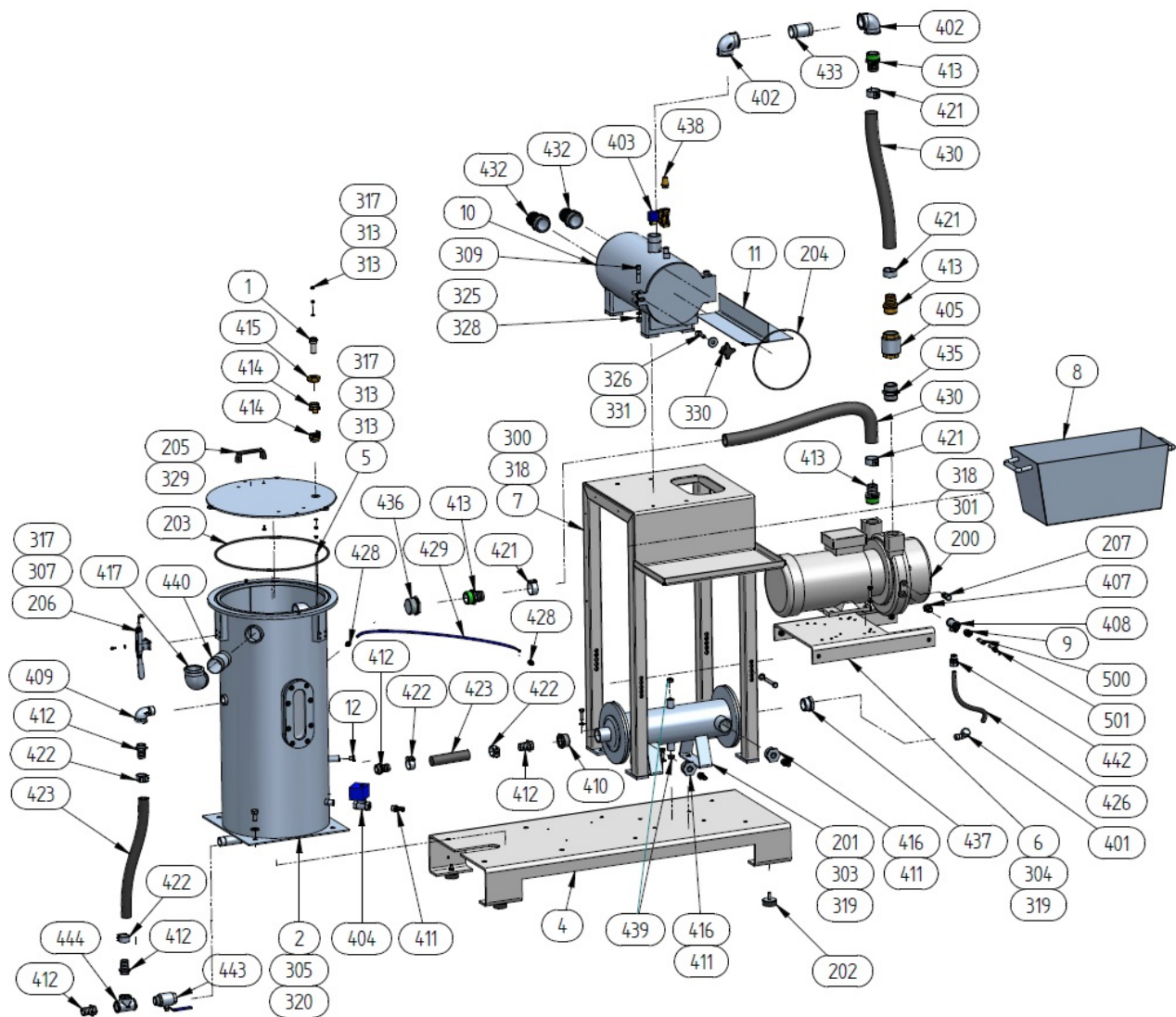
7	A-07085-01021-V00	Copper seal	2.00 piece
8	A-07095-02003-V00	Hopper (venting unit)	2.00 piece
9	A-03095-04021-V00	Support plate	2.00 piece
10	A-07085-01012-V00	Angle (heater band)	4.00 piece
11	A-07065-01013-V10	Heater band 160 I110 440-480V (venting unit)	2.00 piece
12	A-07065-01012-V11	Heater band 160 I140 440-480V (venting unit)	1.00 piece
13	A-07065-01012-V10	Heater band 160 I75 440-480V 1200W (venting unit)	1.00 piece
14	A-07075-01008-V10	Heating band	1.00 piece
15	A-03105-03045-V11	Heater-cooling unit Ø150/660mm, 10,5kW, 480V	1.00 piece
17	A-07065-04003-V00	Cover (venting unit)	1.00 piece
18	A-07075-02001-V00	Cover complete (V75) Redesign	1.00 piece
19	A-07065-04002-V00	Tray with running in lip	1.00 piece
20	A-07095-02004-V00	Cap for venting hooper	2.00 piece
21	A-07095-02005-V00	Angle (venting hopper)	2.00 piece
22	A-07205-01042-V00	Handle for degassing cover	2.00 piece
200	O-01100-00000-036	Handle (thermoplastic) drill: d=8,5, l=117,0mm	2.00 piece
201	L-07100-00000-039	Pressure gauge Ø63, 1/4", 1/0bar, connection at the bottom	2.00 piece
202	G-01000-00470-000	O-Ring 470 x 4 mm, Viton	2.00 piece
300	F-00433-13000-002	Washer DIN 433, 13, stainless (A2)	8.00 piece
301	F-00912-08012-002	Hexagon socket head cap screw DIN 912, M8x12	4.00 piece
302	F-00912-08016-002	Hexagon socket head cap screw, DIN 912, M8x16, stainless	8.00 piece
303	F-00933-16100-002	Hexagon head screw DIN 933, M16x100,10.9	2.00 piece
304	F-00934-16000-001	Hexagon nut DIN 934, M16, 8 galvanised	2.00 piece
305	F-07380-05010-001	Hexagon socket button head screw, ISO 7380, M5x10, 8.8, galv.	12.00 piece
306	F-07984-12040-001	Hexagon socket head cap screw DIN 7984, M12x40, stainless (A2)	8.00 piece
307	F-07991-06012-002	Hexagon socket countersunk screw, DIN 7991, M6x12, stainless	8.00 piece

Item	Article	Designation	Quantity
308	F-07991-08016-002	Hexagon socket countersunk screw, DIN 7991, M8x16, stainless	4.00 piece
309	F-06325-12050-001	Parallel pin DIN 6325, D12m6x50	2.00 piece
310	F-00912-08020-001	Hexagon socket head cap screw DIN 912, M8x20 8.8 galvanised	6.00 piece
311	F-00939-12060-001	Stud DIN 939, M12x60,10.9	12.00 piece
312	F-00134-08000-001	Washer DIN 134, 8,4, 8 galvanized	6.00 piece
313	F-00934-12000-002	Hexagon nut DIN 934, M12, 10.9	12.00 piece
314	F-01300-16004-001	NORD LOCK screw lock M16	2.00 piece
315	F-00125-08000-002	Washer, DIN125, A8,4, stainless	8.00 piece
400	L-07100-00000-040	Tee 1/4" 4000	2.00 piece
401	J-05100-00000-012	Ball valve, K2IA, IG/AG, 1/4", stainless	2.00 piece
402	J-07100-00000-147	Ball valve 101 - IG 1 1/4"-IG 1 1/4"	2.00 piece
403	J-07100-00000-098	Hose nozzle, 337, 5/4", DM 38mm, stainless	2.00 piece
500	M-03300-00000-042	Temperature sensor FECU 10m (PTFE- cable coating)	2.00 piece
501	L-06100-00000-021	Male stud nipple M12x1/100 mm	2.00 piece
2	R-07075-02002-V00	Screw and barrel for venting unit Ø75	



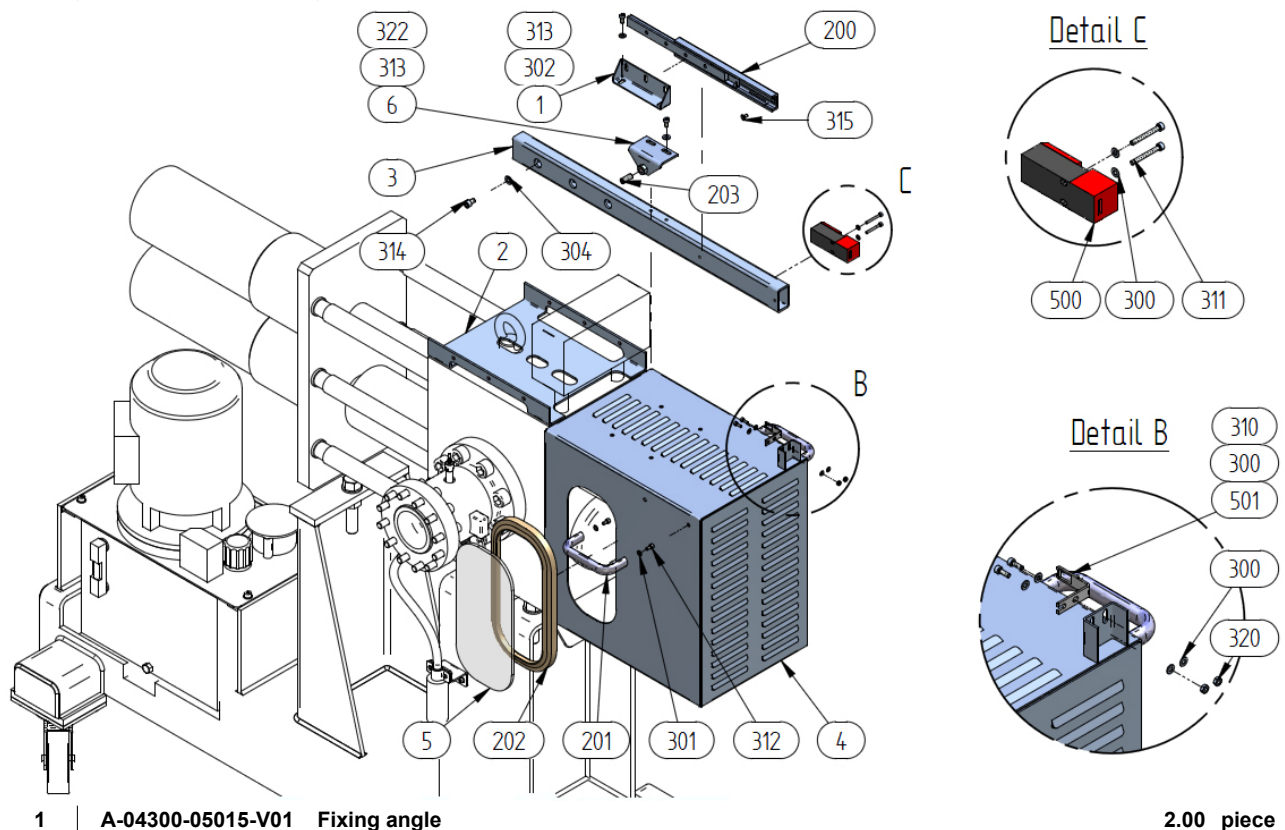
1	A-07075-01001-V01	Screw-venting unit, 16D, 75/16,5/5,5	1.00 piece
2	A-07075-01002-V00	Barrel 1280mm	1.00 piece
3	A-03075-01006-V01	Cutting ring, Ø67	1.00 piece
4	A-07075-01004-V08	Shear ring, Ø72/Ø67/Ø64, l=55mm, 7mm fluted (shear length=10mm)	1.00 piece

Item	Article	Designation	Quantity
330	R-07125-04000-V02	Closed watercircuit (LEMB161 50/60Hz), stainless version	

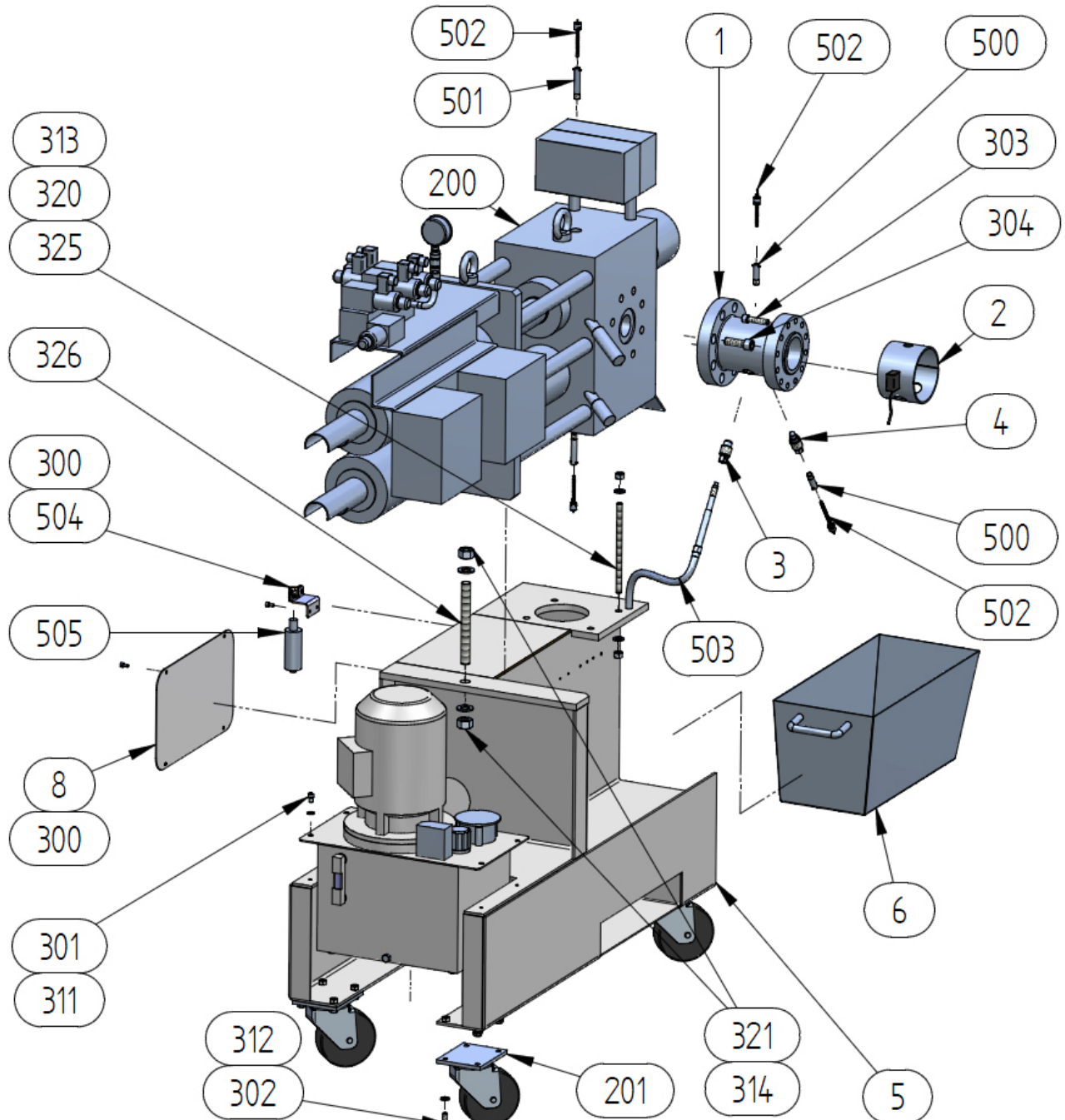


1	A-05055-02042-V00	PA sleeve	1.00 piece
2	A-07125-04001-V02	Water tank for closed water circuit	1.00 piece
3	A-07125-04002-V02	Cap for water tank	1.00 piece
4	A-07125-04003-V04	Base plate (closed water circuit)	1.00 piece
5	A-07125-04005-V01	Screwed rod for level mesuring, M6	1.00 piece
6	A-07125-04016-V00	Plate for pump	1.00 piece
7	A-07125-04006-V03	Bracket (venting hopper)	1.00 piece
8	A-07125-04009-V02	Tray	1.00 piece
9	A-99100-01007-V01	Adapter for temperature sensor, 1/2"	1.00 piece
10	A-07085-01025-V00	Condenser (supply 2")	1.00 piece
11	A-07085-01009-V01	Screen (condenser)	1.00 piece
12	A-03055-02153-V01	Screw plug M12x1 L=12mm	1.00 piece
200	J-02200-00000-077	Vacuum pump LEMB 161, 6kW, 60Hz, IE3	1.00 piece
201	J-06100-00000-034	Heat exchanger 30 kW - IG	1.00 piece
202	D-07100-00000-015	Rubber metal buffer d50, h=20, M10 AG	4.00 piece
203	G-01000-00422-000	O-Ring 422 x 6 mm, Viton	1.00 piece
204	G-01000-00230-000	O-Ring 230 x 4 mm, Viton	1.00 piece
205	O-01100-00000-001	Handle (thermoplastic) M6, l=105mm	2.00 piece
206	O-01100-00000-437	Clamp	3.00 piece
207	J-04100-00000-020	Vacuum regulating valve LEMB 91 AZ AAE 0A 0 HW	1.00 piece
300	F-00933-10035-001	Hexagon head screw DIN 933, M10x35, 8.8 galvanized	4.00 piece
301	F-00933-10040-001	Hexagon head screw DIN 933, M10x40, 8.8	4.00 piece
302	F-00933-12020-001	Hexagon head screw DIN 933, M12x20 8.8	4.00 piece
303	F-00933-12030-001	Hexagon head screw DIN 933, M12x30, 8.8, galvanized	4.00 piece
304	F-00933-12080-001	Hexagon head screw DIN 933, M12x80, 8.8	4.00 piece
305	F-00933-16030-001	Hexagon head screw DIN 933, M16x30, 8.8 galvanized	4.00 piece
307	F-00912-06012-001	Hexagon socket head cap screw, DIN 912, M6x12, 8.8, galv.	12.00 piece
308	F-00912-08012-001	Hexagon socket head cap screw, DIN 912, M8x12, 8.8, galv.	1.00 piece
309	F-00912-12055-001	Hexagon socket head cap screw DIN 912, M12x55, 8.8 galvanized	1.00 piece
313	F-00934-06000-001	Hexagon nut DIN 934, M6, 8 galvanized	4.00 piece
317	F-00125-06000-001	Washer, DIN125, A6,4, galv.	14.00 piece
318	F-00125-10000-000	Washer, DIN 125, A10,5, galv.	8.00 piece

Item	Article	Designation	Quantity
319	F-00125-13000-001	Washer DIN 125, A13, galvanized	12.00 piece
320	F-00125-17000-001	Washer, DIN 125, A17, galv.	4.00 piece
325	F-00433-13000-001	Washer DIN 433, 13, galv.	2.00 piece
326	F-00444-12060-001	Eye bolt DIN 444A, M12x60 4.6	1.00 piece
327	F-00471-00012-000	Fixing washer d12 DIN 471	1.00 piece
328	F-00982-12000-001	Self locking hexagon nut DIN982, M12 8 verzinkt	1.00 piece
329	F-07991-06016-001	Hexagon socket countersunk screw DIN 7991, M6x16, 10.9	4.00 piece
330	O-01100-00000-037	Star handle M12	1.00 piece
401	J-07100-00000-320	Elbow screw fitting stainless	1.00 piece
402	J-07100-00000-302	Angle 90°, 301, 6/4", stainless	2.00 piece
403	J-04100-00000-002	Solenoid valve 2/2 way, 1/2", brass, 24VDC, NC	1.00 piece
404	J-05100-00000-030	Ball valve 2/2 G1/2" - 24VDC (with emergency shutdown)	1.00 piece
405	J-04100-00000-008	Check valve R 6/4"	1.00 piece
407	J-07100-00000-005	Double nipple, 340, 1/2", stainless	1.00 piece
408	J-07100-00000-016	Tee, 307, 1/2", stainless	1.00 piece
409	J-07100-00000-312	Angle 90°, 304, 1", stainless	1.00 piece
410	J-07100-00000-268	Reducing bush, 325, 6/4"-1", stainless	1.00 piece
411	J-07100-00000-047	Hose nozzle, 337, AG, 1/2", DM 13mm, stainless	3.00 piece
412	J-07100-00000-096	Hose nozzle, 337, 1", DM 25mm, stainless	5.00 piece
413	J-07100-00000-100	Hose nozzle, 337, 6/4", DM 38mm, stainless	4.00 piece
414	J-07100-00000-129	Quick connector, unio, 1"	2.00 piece
415	J-07100-00000-130	Nut R 1"	1.00 piece
416	J-07100-00000-140	Reducing bush, 325, 6/4"-1/2", stainless	2.00 piece
417	J-07100-00000-311	Angle 90°, 301, 2", stainless	1.00 piece
421	J-07100-00000-158	Hose clamp ABA 48-51	4.00 piece
422	J-07100-00000-159	Hose clamp ABA 32-35	4.00 piece
423	J-07100-00000-160	Water hose IESI 25, NW 25x5mm	1.40 m
426	J-07100-00000-295	Water hose with grouted fitting, 1/2"	1.00 m
428	L-07100-00000-006	Male stud coupling 8-1/4"	2.00 piece
429	L-08100-00008-001	Pneumatic pipe d8mm	1.00 m
430	O-01100-00000-090	Tube 38mm (venting unit)	1.30 m
432	J-07100-00000-101	Hose nozzle, 337, 2", DM 50mm, stainless	2.00 piece
433	J-07100-00000-307	Double nipple, 310, 6/4", L=80mm, stainless	1.00 piece
435	J-07100-00000-024	Double nipple, 340, 6/4", stainless	1.00 piece
436	J-07100-00000-088	Reducing bush, 325, 2"-6/4", stainless	1.00 piece
437	J-07100-00000-305	Nipple reduced, 325, 6/4"-1/2", stainless	1.00 piece
438	L-04100-00000-015	Sound absorber 7000, 1/2"	1.00 piece
439	L-07100-00000-024	Hexagon head screw plug 1/2" DIN 906	2.00 piece
440	J-07100-00000-310	Double nipple, 310, 2", L=100mm, stainless	1.00 piece
442	J-07100-00000-319	Straight screwed coupling 1/2", stainless	1.00 piece
443	J-05100-00000-010	Ball valve, 1", stainless	1.00 piece
444	J-07100-00000-286	Tee, 307, 1", stainless	1.00 piece
500	L-06100-00000-022	Male stud nipple M12x1/35	1.00 piece
501	M-03300-00000-042	Temperature sensor FECU 10m (PTFE- cable coating)	1.00 piece
521	R-04300-05000-V02	Cover Screenshotter K-SWE 121	

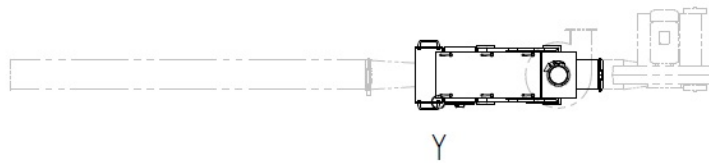
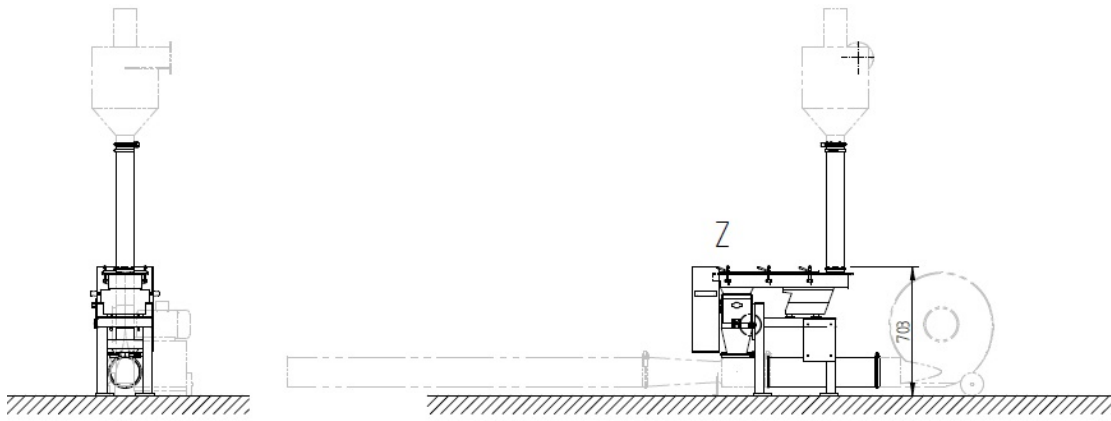


Item	Article	Designation	Quantity
2	A-04300-05012-V00	Baseplate	1.00 piece
3	A-04300-05013-V00	Mounting Profile	2.00 piece
4	A-04300-05014-V01	Covering Cap	1.00 piece
5	A-04300-05016-V00	Inspection glass	1.00 piece
6	A-04300-05017-V00	Angle	2.00 piece
200	O-01100-00000-530	Linear guiding Chambrelan R53DD length 250mm	2.00 piece
201	F-01400-00000-011	Handle 2430.110	2.00 piece
202	G-04000-00000-013	Clamping profile	1.00 m
203	O-01100-00000-540	Pressure pad	2.00 piece
300	F-00125-04000-001	Washer, DIN125, A4,3, galvanized	6.00 piece
301	F-00125-05000-001	Washer, DIN 125, A5,3, galv.	4.00 piece
302	F-00125-06000-002	Washer, DIN125, A6,4, stainless	10.00 piece
304	F-00125-08000-001	Washer, DIN 125, A8,4, galv.	6.00 piece
310	F-00912-04012-001	Hexagon socket head cap screw, DIN 912, M4x12, 8.8, galv.	2.00 piece
311	F-00912-04035-002	Hexagon socket head cap screw DIN 912, M4x35	2.00 piece
312	F-00912-05010-001	Hexagon socket head cap screw, DIN 912, M5x10, 8.8	4.00 piece
313	F-00912-06012-002	Hexagon socket head cap screw, DIN 912, M6x12, stainless	14.00 piece
314	F-00912-08012-001	Hexagon socket head cap screw, DIN 912, M8x12, 8.8, galv.	6.00 piece
315	F-07991-05010-002	Hexagon socket countersunk screw DIN 7991, M5x10 stainless	4.00 piece
320	F-00934-04000-002	Hexagon nut DIN 934, M4, niro	2.00 piece
322	F-00134-06000-001	Washer DIN 134, 6,4, galvanized	4.00 piece
500	M-03700-00000-079	Security switch 2xNC XCS PA 792	1.00 piece
501	M-03700-00000-005	Operator XCS Z14 (housing)	1.00 piece
557	R-04300-03000-V00	Screen changer K-SWE 121 RS	

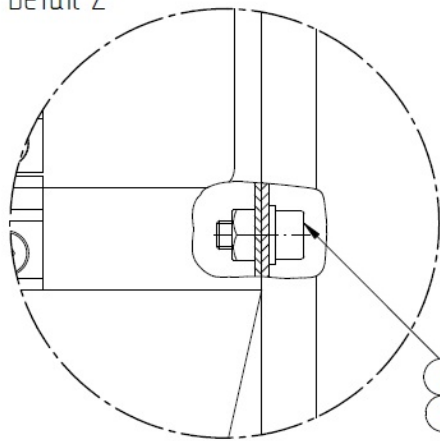


Item	Article	Designation	Quantity
2	A-04300-05003-V10	Heater band 120 I90 440-480V (adapter)	1.00 piece
3	A-04500-04002-V00	Retainer (pressure device)	1.00 piece
4	A-04500-04003-V00	Holder f. temperature sensor	1.00 piece
5	A-04300-03001-V02	Undercarriage K-SWE-121/RS	1.00 piece
6	A-04300-07022-V00	Tray K-SWE / RS	1.00 piece
7	A-04300-07025-V00	Fixing for transport (K-SWE-125/RS)	2.00 piece
8	A-04300-07024-V01	Cover for undercarriage screnchanger	1.00 piece
200	R-01100-00121-012	Screen changer K-SWE 121/RS, PET, 480V	1.00 piece
201	O-01100-00000-154	Guide pulley d=130	4.00 piece
300	F-00912-06012-001	Hexagon socket head cap screw, DIN 912, M6x12, 8.8, galv.	6.00 piece
301	F-00912-08012-001	Hexagon socket head cap screw, DIN 912, M8x12, 8.8, galv.	4.00 piece
302	F-00933-10025-001	Hexagon head, screw DIN 933, M10x25, 8.8, galv.	16.00 piece
303	F-00912-12050-001	Hexagon socket head cap screw DIN 912, M12x50,10.9	12.00 piece
304	F-00912-20055-001	Hexagon socket head cap screw DIN 912, M20x55,10.9 geom.	8.00 piece
311	F-00125-08000-001	Washer, DIN 125, A8,4, galv.	4.00 piece
312	F-00125-10000-000	Washer, DIN 125, A10,5, galv.	16.00 piece
313	F-00125-13000-001	Washer DIN 125, A13, galvanized	8.00 piece
314	F-00125-21000-001	Washer, DIN 125, A21, galv.	2.00 piece
320	F-00934-12000-001	Hexagon nut DIN 934, M12, 8, galvanized	8.00 piece
321	F-00934-20000-001	Hexagon nut DIN 934, M20, 8, galv.	2.00 piece
325	F-00975-12210-001	Screwed rod DIN 975, M12x210 8.8	4.00 piece
326	F-00975-20190-001	Screwed rod DIN 975 M 20 x 190	1.00 piece
500	L-06100-00000-022	Male stud nipple M12x1/35	2.00 piece
501	L-06100-00000-023	Male stud nipple M12x1/60	2.00 piece
502	M-03300-00000-042	Temperature sensor FECU 10m (PTFE- cable coating)	4.00 piece
503	M-03400-00000-016	Melt pressure sensor KE1-6-M-B05C-1-4-D 4-20mA, 0-500 bar	1.00 piece
504	M-03400-00000-002	Bracket SF 18 (pressure device)	1.00 piece
505	M-03400-00000-003	Connecting cable 10m (pressure device)	1.00 piece
	A-04150-04001-V22	Cover (S65/75->K-SWE-101/R;S75->K-SWE-121/R,K-SWE-125/R)	1.00 piece

Item	Article	Designation	Quantity
680	R-06300-02000-V10	Vibrating screen SDE 180x740	

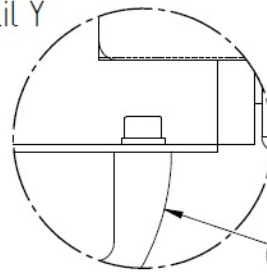


Detail Z

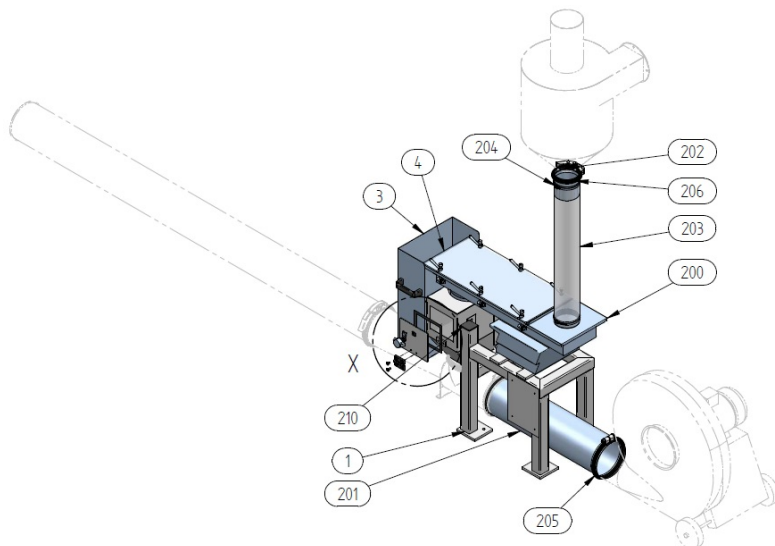


- 300 DIN912, M8x16, niro
- 301 DIN125, A8,4, niro

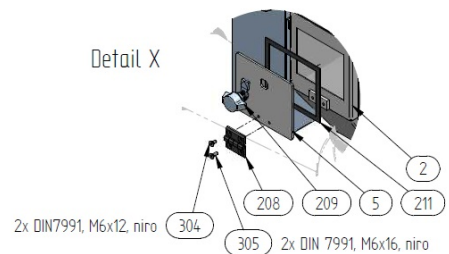
Detail Y



- 207
- 302 DIN125, A6,4, niro
- 303 DIN912, M6x12, niro

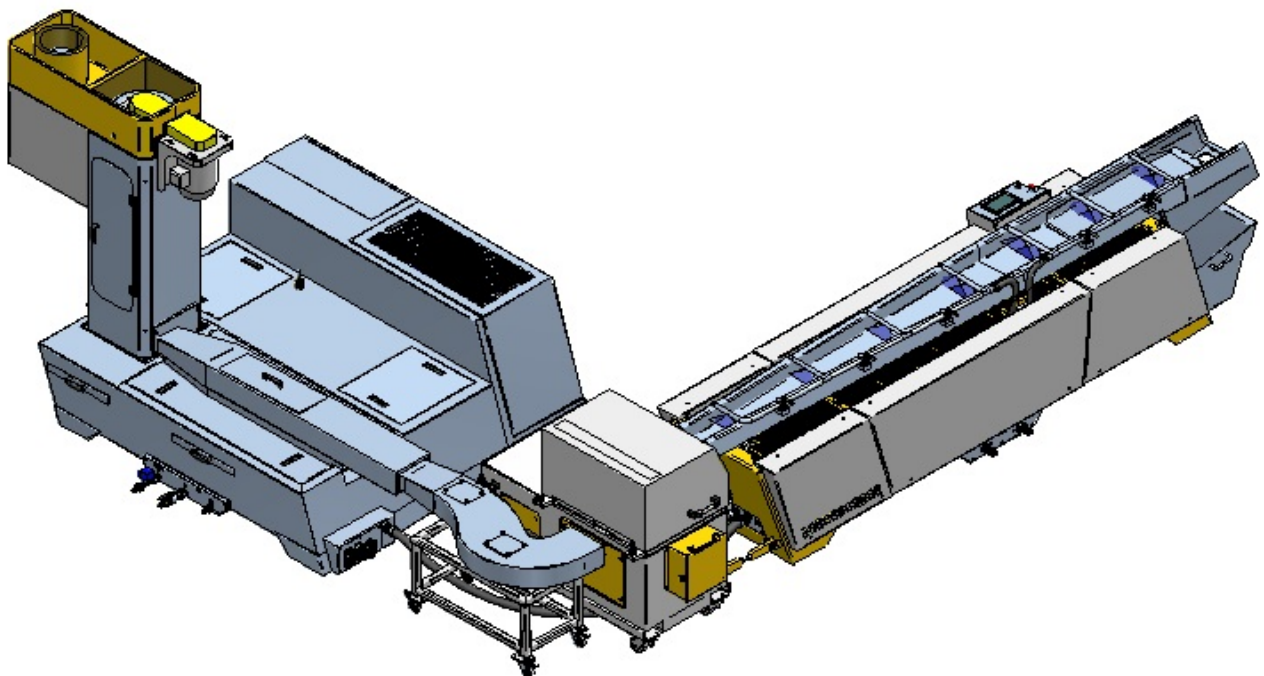
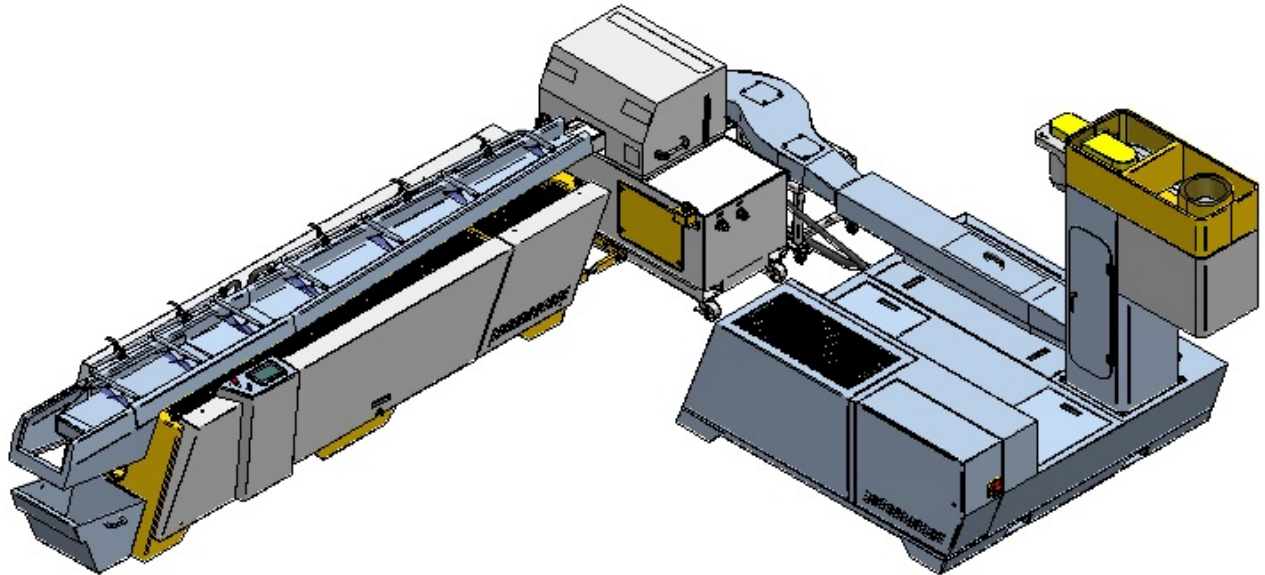


Detail X

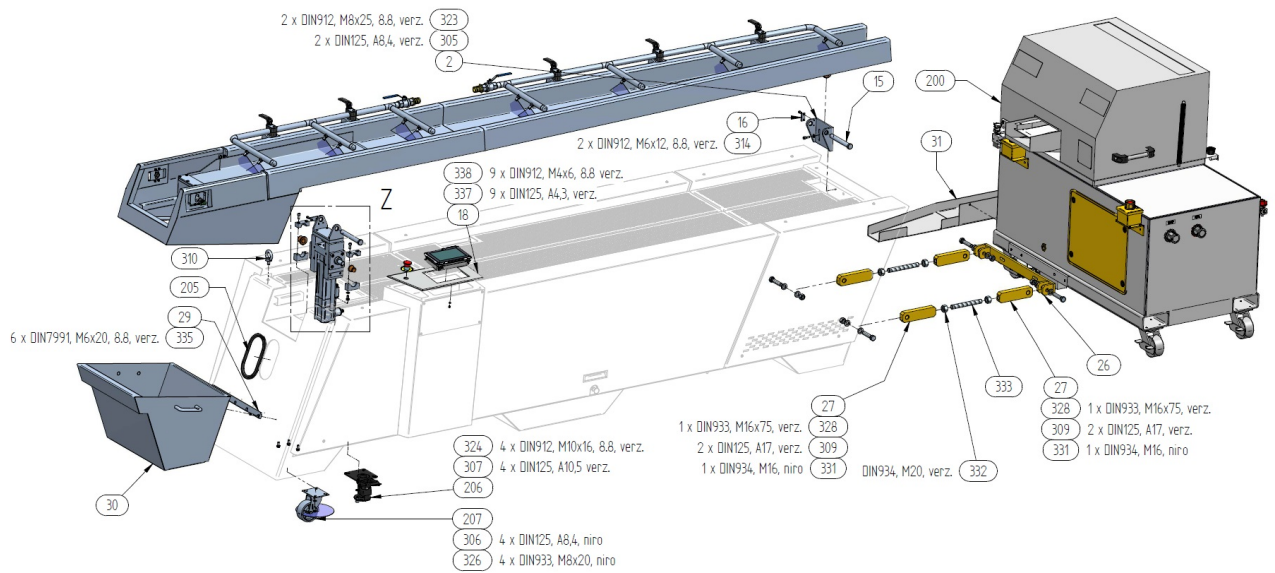


1	A-06300-03003-V10	Undercarriage (vibrating screen SDE 180x740)	1.00 piece
2	A-06300-03004-V11	Collecting hopper	1.00 piece
3	A-06300-03005-V01	Waste tray	1.00 piece
4	A-06300-03006-V00	Cover for vibrating screen	1.00 piece
5	A-06300-03012-V00	Cover (vibrating screen hopper)	1.00 piece
200	R-01400-00000-006	Vibration screen, Jöst SDE180x740, 115V/60Hz	1.00 piece
201	O-01100-00000-095	Pipe 0,6 m OK 160	1.00 piece
202	L-23200-00100-030	Pipe 0,06m, niro, Ø100	1.00 piece
203	O-01100-00000-190	spiral coiled tube Ø100	0.70 m
204	J-07100-00000-137	Hose clamp ABA 87-112	2.00 piece

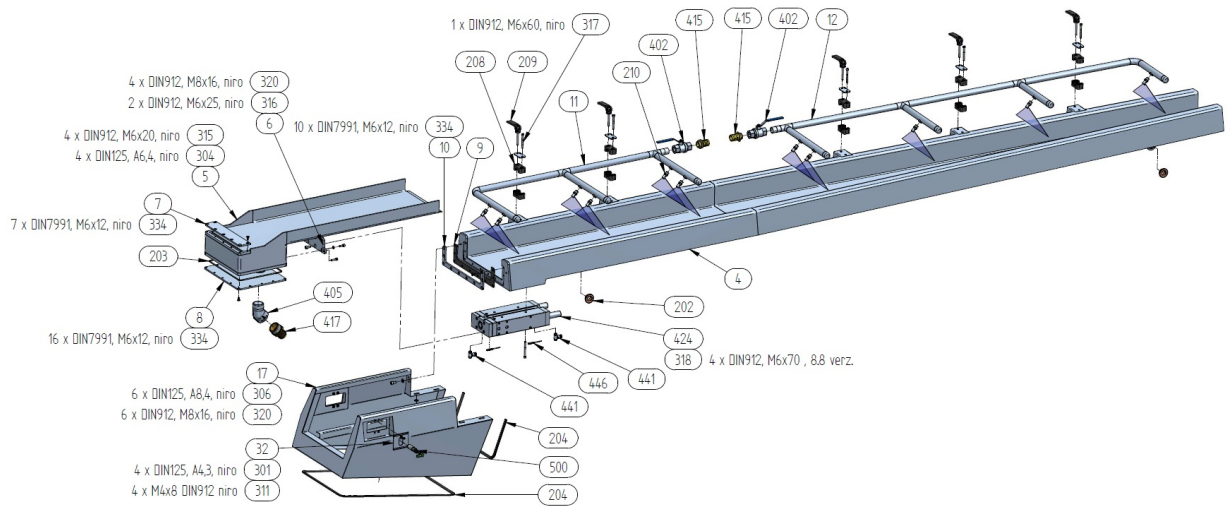
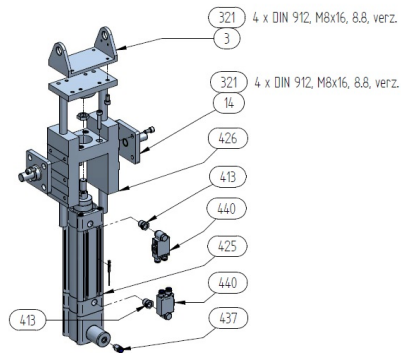
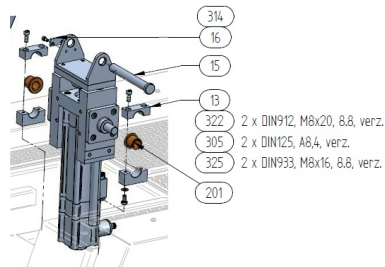
Item	Article	Designation	Quantity
205	O-01100-00000-280	Clamp OK160, screwable, galvanized (Kongskilde)	1.00 piece
206	L-23200-00100-016	Clamp with bolt, stainless steel, D.100	1.00 piece
207	O-01100-00000-001	Handle (thermoplastic) M6, l=105mm	2.00 piece
208	F-01400-00000-007	Hinge 50x50 schwarz	1.00 piece
209	F-01400-00000-035	Sash fastener	1.00 piece
210	O-01100-00000-325	Plug (FR 50 x 50)	2.00 piece
211	G-04000-00000-020	Seal strip 10x2 - EPDM	0.60 m
300	F-00912-08016-002	Hexagon socket head cap screw, DIN 912, M8x16, stainless	4.00 piece
301	F-00125-08000-002	Washer, DIN125, A8,4, stainless	4.00 piece
302	F-00125-06000-002	Washer, DIN125, A6,4, stainless	4.00 piece
303	F-00912-06012-002	Hexagon socket head cap screw, DIN 912, M6x12, stainless	4.00 piece
304	F-07991-06012-002	Hexagon socket countersunk screw, DIN 7991, M6x12, stainless	2.00 piece
305	F-07991-06016-002	Hexagon socket countersunk screw, DIN 7991, M6x16, stainless	2.00 piece
694	R-05085-86000-V01	Water slide pelletizing line (ASP-300)	

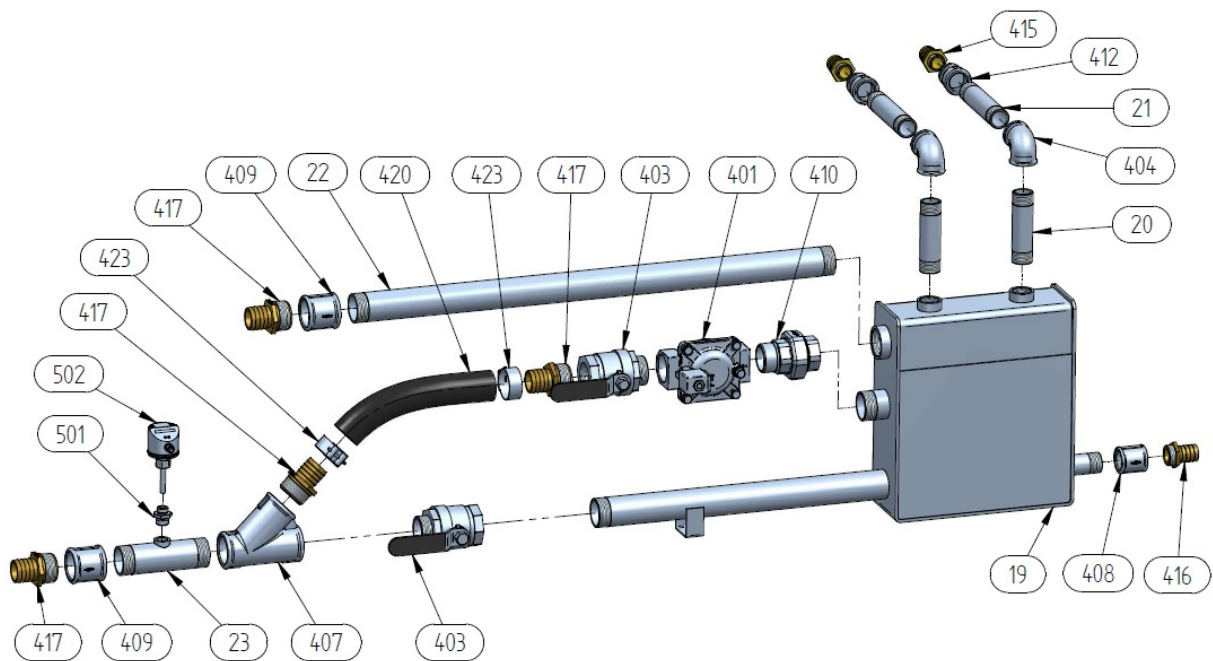
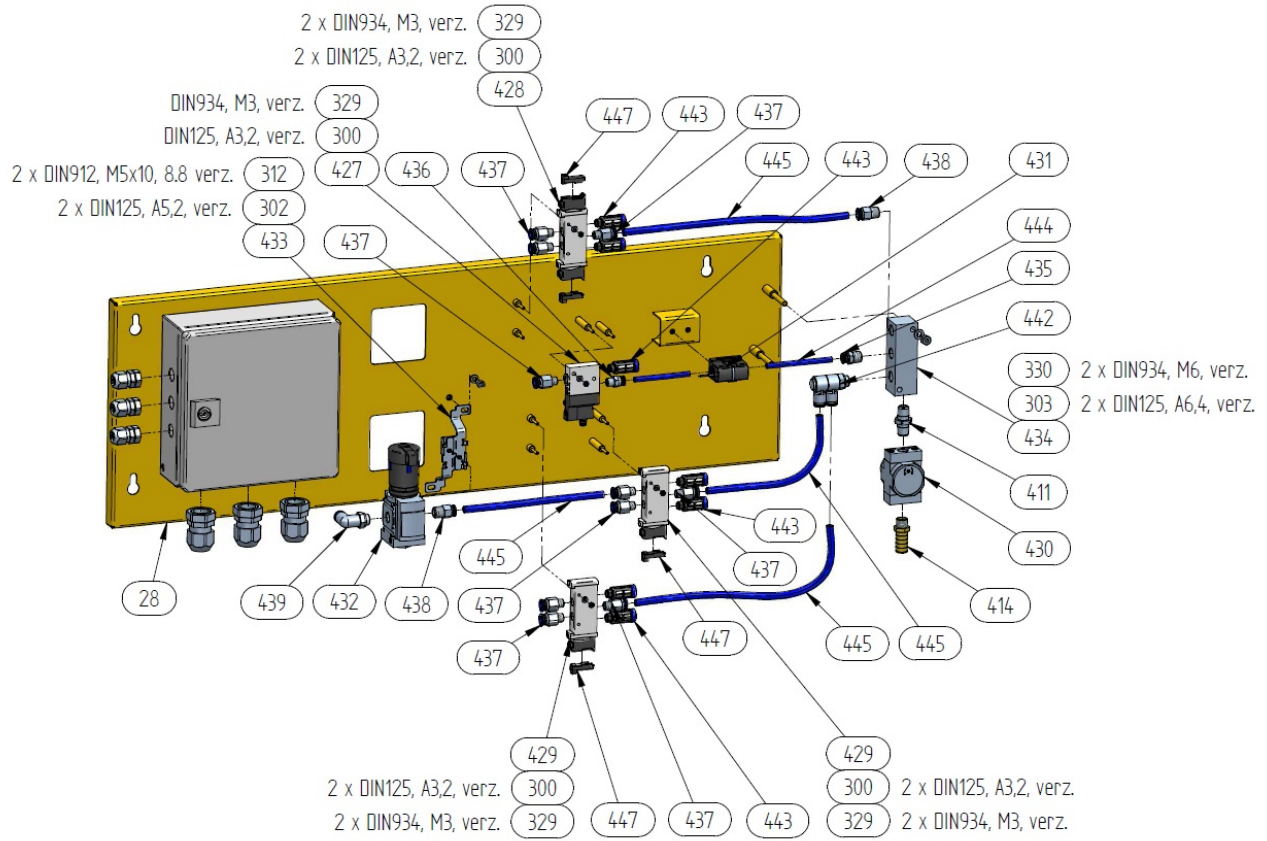


Item	Article	Designation	Quantity
1	R-05085-86100-V01	Water slide + granulator (ASP-300)	



Detail Z

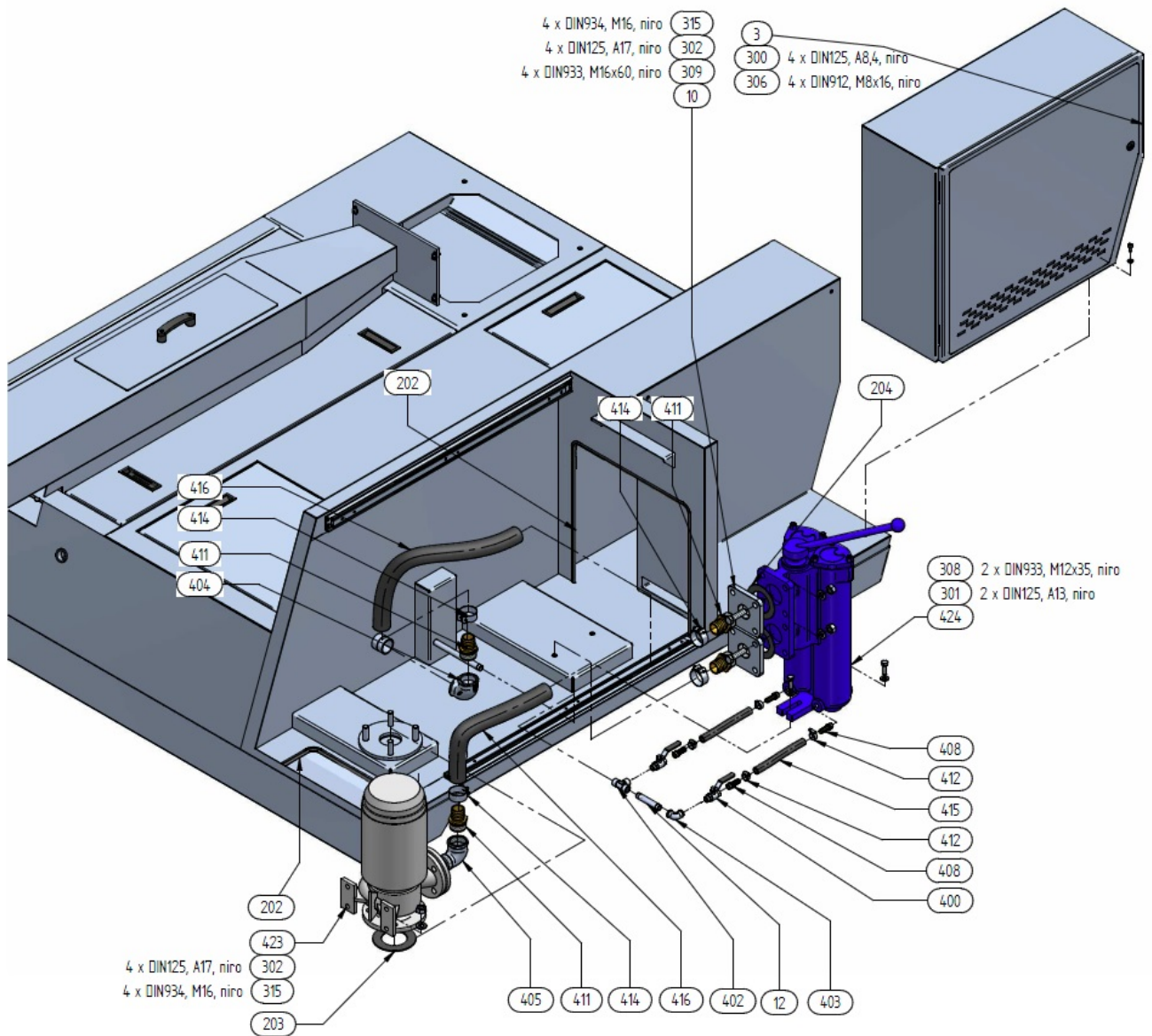




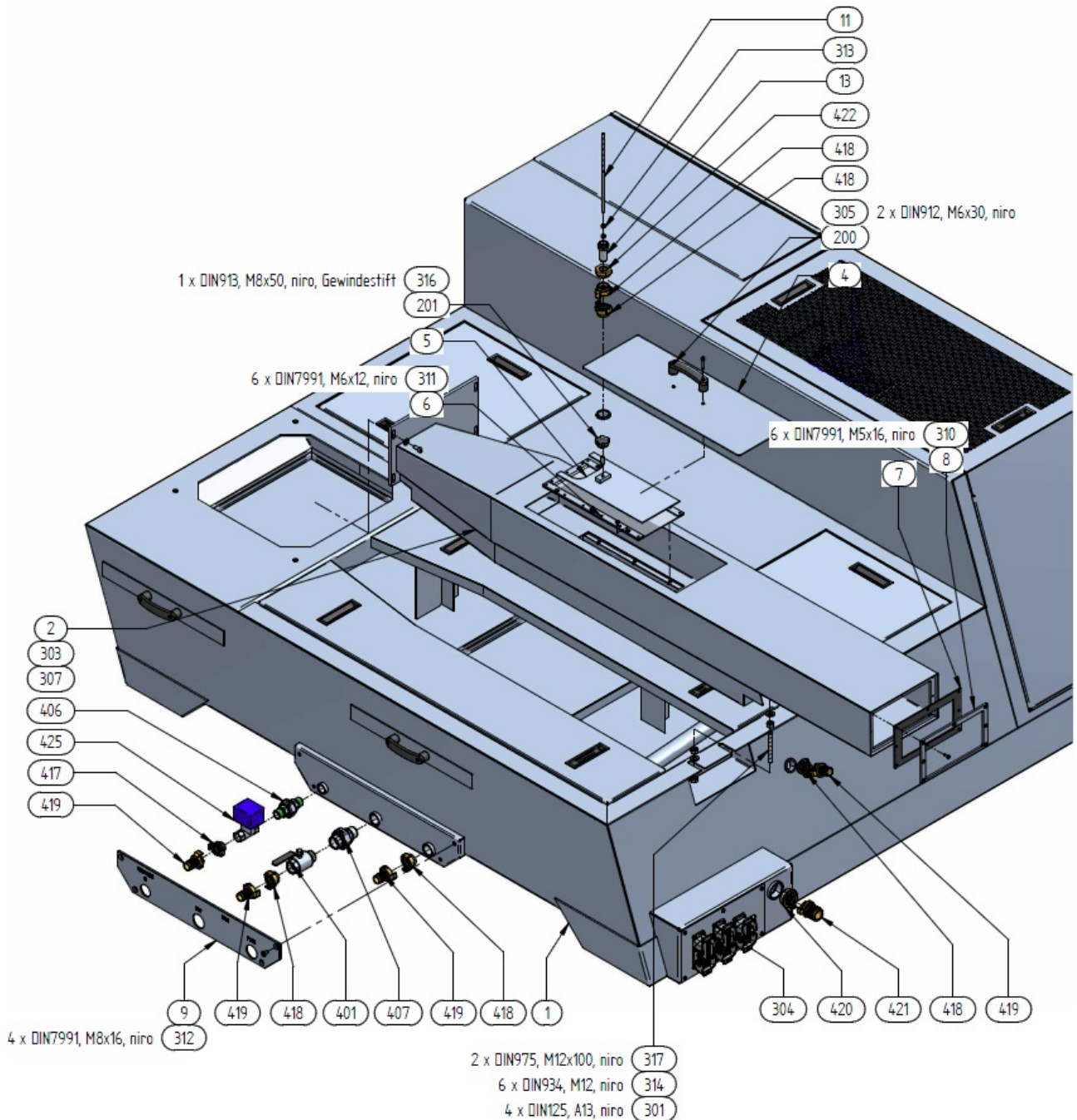
Item	Article	Designation	Quantity
32	A-05085-86149-V00	Holder for light barrier	2.00 piece
33	A-05085-86153-V00	Seal for telescope unit	2.00 piece
34	A-05085-86156-V00	Clamping plate for seal	2.00 piece
35	A-05085-86157-V00	Strand distributor	1.00 piece
36	A-05085-86151-V00	Trip tray at granulator inlet	1.00 piece
37	A-05085-86152-V00	Screen for drip tray	1.00 piece
38	A-05085-86154-V00	Seal for drip tray	2.00 piece
39	A-05085-86155-V00	Clamping plate for seal	1.00 piece
40	A-05085-86150-V00	Splash guard for control panel	1.00 piece
200	V-05085-00000-007	Strand pelletizer ASP300, 480V/60Hz, 7,5kW	1.00 piece
201	C-03100-00020-003	Plain bearing bush , Ø20, l=30mm	2.00 piece
202	C-03100-00020-004	Plain bearing bush , Ø20, l=15mm	4.00 piece
203	G-01000-00445-001	O-Ring 445 x 4 mm, NBR	1.00 piece
204	G-04000-00000-007	Seal profile P010015	2.00 m
205	G-04000-00000-017	Seal profil P011010	2.00 m
206	O-01100-00001-024	Floor Stopper, FLOCKZ100	2.00 piece
207	O-01100-00000-901	Guide roll PD 101 ZK, Ø100 x 40	4.00 piece
208	O-01100-00000-902	Pipe clamp DIN 3015, Pipe Ø = 26,9mm	5.00 piece
209	O-01100-00000-903	Tappet spanner GN 927.4, M6x60	5.00 piece
210	O-01100-00000-904	Spray nozzle NZRFS, 1/4", Ø=2mm	11.00 piece
211	O-01100-00000-211	Star handle M8x20, DIN 6336	2.00 piece
300	F-00125-03000-001	Washer, DIN125, A3,2	8.00 piece
301	F-00125-04000-001	Washer, DIN125, A4,3, galvanized	9.00 piece
302	F-00125-04000-002	Washer DIN 125, A4,3 stainless	8.00 piece
303	F-00125-05000-001	Washer, DIN 125, A5,3, galv.	2.00 piece
304	F-00125-06000-001	Washer, DIN125, A6,4, galv.	10.00 piece
305	F-00125-06000-002	Washer, DIN125, A6,4, stainless	4.00 piece
306	F-00125-08000-001	Washer, DIN 125, A8,4, galv.	24.00 piece
307	F-00125-08000-002	Washer, DIN125, A8,4, stainless	10.00 piece
308	F-00125-10000-000	Washer, DIN 125, A10,5, galv.	8.00 piece
309	F-00125-13000-002	Washer, DIN125, A13, stainless	4.00 piece
310	F-00125-17000-001	Washer, DIN 125, A17, galv.	8.00 piece
311	F-00134-08000-002	Washer DIN 134, 8,4 stainless	2.00 piece
312	F-00580-12000-000	Lifting eye bolt DIN 580, M12, 8.8 galvanized	4.00 piece
313	F-00912-04006-001	Hexagon socket head cap screw, DIN 912, M4x6, 8.8 galvanized	9.00 piece
314	F-00912-04008-002	Hexagon socket head cap screw DIN 912, M4x8	8.00 piece
315	F-00912-05010-001	Hexagon socket head cap screw, DIN 912, M5x10, 8.8	2.00 piece
316	F-00912-06010-001	Hexagon socket head cap screw, DIN 912, M6x10, 8.8	4.00 piece
317	F-00912-06012-001	Hexagon socket head cap screw, DIN 912, M6x12, 8.8, galv.	4.00 piece
318	F-00912-06012-002	Hexagon socket head cap screw, DIN 912, M6x12, stainless	9.00 piece
319	F-00912-06020-002	Hexagon socket head cap screw, DIN 912, M6x20, stainless	4.00 piece
320	F-00912-06025-002	Hexagon socket head cap screw DIN 912, M6x25 stainless	2.00 piece
321	F-00912-06060-002	Hexagon socket head cap screw, DIN 912, M6x60, stainless	5.00 piece
322	F-00912-06070-001	Hexagon socket head cap screw DIN 912, M6x70 8.8	4.00 piece
323	F-00912-08012-001	Hexagon socket head cap screw, DIN 912, M8x12, 8.8, galv.	4.00 piece
324	F-00912-08016-002	Hexagon socket head cap screw, DIN 912, M8x16, stainless	10.00 piece
325	F-00912-08016-002	Hexagon socket head cap screw, DIN 912, M8x16, stainless	4.00 piece
326	F-00912-08016-003	Hexagon socket head cap screw DIN 912, M8x16 8.8 galvanized	12.00 piece
327	F-00912-08020-001	Hexagon socket head cap screw DIN 912, M8x20 8.8 galvanized	4.00 piece
328	F-00912-08025-001	Hexagon socket head cap screw DIN 912, M8x25 8.8	2.00 piece
329	F-00912-10016-001	Hexagon socket head cap screw DIN 912, M10x16 8.8	8.00 piece
330	F-00933-08016-001	Hexagon head screw, DIN 933, M8x16, 8.8, galv.	4.00 piece
331	F-00933-08020-001	Hexagon head screw DIN 933, M8x20, 8.8 galvanized	20.00 piece
332	F-00933-12020-002	Hexagon head screw, DIN 933, M12x20, niro	4.00 piece
333	F-00933-16075-001	Hexagon head screw DIN 933, M16x75 8.8	4.00 piece
334	F-00934-03000-001	Hexagon nut DIN 934, M4, 8.8	8.00 piece
335	F-00934-06000-001	Hexagon nut DIN 934, M6, 8 galvanized	2.00 piece
336	F-00934-16000-002	Hexagon nut, DIN 934, M16, stainless	4.00 piece
337	F-00934-20000-001	Hexagon nut DIN 934, M20, 8, galv.	4.00 piece
338	F-00975-20170-001	Screwed rod DIN 975 M20x170, 8.8	2.00 piece
339	F-07380-06010-001	Hexagon socket button head screw ISO 7380, M6x10 8.8 galvan.	4.00 piece
340	F-07991-06012-002	Hexagon socket countersunk screw, DIN 7991, M6x12, stainless	33.00 piece
341	F-07991-06020-001	Hexagon socket countersunk screw DIN 7991, M6x20, 10.9 geom.	10.00 piece
342	F-07991-08016-002	Hexagon socket countersunk screw, DIN 7991, M8x16, stainless	9.00 piece
400	J-06100-00000-033	Heat exchanger 80 kW - IG	1.00 piece
401	J-04100-00000-040	2/2 directional control valve, G 1 1/2", servo, DN37, NC, NBR	1.00 piece
402	J-07100-00000-491	Ball valve, K2I, IG/IG, 3/4", stainless	2.00 piece
403	J-05100-00000-018	Ball valve, K2IA, IG/AG, 6/4", stainless	2.00 piece
404	J-07100-00000-304	Angle 90°, 301, 1", stainless	2.00 piece
405	J-07100-00000-473	Angle 45°, 303, 6/4", stainless	1.00 piece
406	J-07100-00000-003	Angle 90°, 304,6/4", stainless	4.00 piece
407	J-07100-00000-529	Tee 45° 165, 1/2", (all internal threads)	1.00 piece
408	J-07100-00000-325	Socket 333, 1", niro	1.00 piece
409	J-07100-00000-449	Socket 333, 1", stainless	2.00 piece
410	J-07100-00000-447	Threaded connection, 316, 1 1/2", stainless	1.00 piece
411	J-07100-00000-017	Double nipple, 340, 1/4", stainless	1.00 piece

Item	Article	Designation	Quantity
412	J-07100-00000-082	Reducing socket, 335, 1" - 3/4", stainless	2.00 piece
413	J-07100-00000-483	nippel reduced, 325, 3/8" - 1/4", stainless	2.00 piece
414	J-07100-00000-242	Hose nozzle, 337, 1/4", DM 13mm, stainless	3.00 piece
415	J-07100-00000-095	Hose nozzle, 337, 3/4", DM 25mm, stainless	4.00 piece
416	J-07100-00000-096	Hose nozzle, 337, 1", DM 25mm, stainless	4.00 piece
417	J-05100-00000-010	Ball valve, 1", stainless	1.00 piece
418	J-07100-00000-100	Hose nozzle, 337, 6/4", DM 38mm, stainless	15.00 piece
419	J-07100-00000-146	Water hose CS 13, NW 13x4mm	5.00 m
420	J-07100-00000-160	Water hose IESI 25, NW 25x5mm	5.00 m
421	J-07100-00000-144	Universal hose Uniflex 10C, NW 38mm / 1 1/2"	5.00 m
422	J-07100-00000-108	Hose clamp ABA 15-24	2.00 piece
423	J-07100-00000-159	Hose clamp ABA 32-35	7.00 piece
424	J-07100-00000-158	Hose clamp ABA 48-51	12.00 piece
425	L-02300-00000-060	Counter-acting cylinder DFM-50-200-B-PPV-A-GF	1.00 piece
426	L-02300-00000-059	Cylinder DSBC-63-150-C-PPSA	1.00 piece
427	L-02300-00000-058	Guiding unit FENG-63-150	1.00 piece
428	L-02300-00000-037	Magnetic valve CPE14-M1CH-3GL-1/8	1.00 piece
429	L-04100-00000-060	Magnetic valve VUVG-L18-B52-T-G14-1P3	1.00 piece
430	L-02300-00000-034	Magnetic valve VUVG-L14-M52-MT-G18-1P3	2.00 piece
431	L-02300-00000-054	Switch-on valve HEL-1/4-D-MINI	1.00 piece
432	L-02300-00000-043	Pressure sensor SDE5-D10-O-Q6-P-K	1.00 piece
433	L-02300-00000-033	Pressure control valve MS4-LR-1/4-D6-AS	1.00 piece
434	L-02300-00000-036	Clamping angle for pressure control valve, MS4-6-WB	1.00 piece
435	L-02300-00000-042	Distributing cabinet FR-4-14-C	1.00 piece
436	L-02300-00000-062	Push-in fitting QS-1/4-6	5.00 piece
437	L-02300-00000-061	Push-in fitting QS-1/8-6	5.00 piece
438	L-02300-00000-030	Push-in fitting QS-1/8-8	10.00 piece
439	L-02300-00000-040	Push-in fitting QS-1/4-8	5.00 piece
440	L-02300-00000-038	L- push-in fitting QSL-G14-8	5.00 piece
441	L-02300-00000-029	Check valve with choke VFOF-LE-BAH-G14-Q8	2.00 piece
442	L-02300-00000-066	Check valve with choke GRLA-1/4-QS-8-D	2.00 piece
443	L-02300-00000-039	Distributor QSLV2-G1/4-8	1.00 piece
444	L-02300-00000-044	Sound absorber U-18	5.00 piece
445	L-07100-00000-142	silencer U-1/4	2.00 piece
446	L-08100-00006-001	Pneumatic pipe d6mm	5.00 m
447	L-08100-00008-001	Pneumatic pipe d8mm	5.00 m
448	L-02300-00000-048	Proximity switch NEBU-M8W4-K-2.5-LE4	3.00 piece
449	L-02300-00000-045	Connecting plate VAVE-L1-1H2-LR	4.00 piece
450	M-03200-00000-010	Light barrier OES 6-18 M 8000 P3K-BSL	1.00 piece
451	L-02300-00000-057	Connection cable NEBV-H1G2-P-2.5-N-LE2	4.00 piece
452	L-02300-00000-047	Connecting cable NEBU-M8W4-K-2.5-LE4	1.00 piece
500	M-03300-00000-016	Adapter (for fluid flow sensor)	1.00 piece
501	M-03300-00000-015	Fluid flow sensor	1.00 piece
	L-02300-00000-026	Gas spring GS-22, stroke=550mm	2.00 piece
	O-01100-00000-899	Telescopic slide RA5R, L=600mm	2.00 piece
	O-01100-00000-900	Locking pin GN 817-10-12-B	1.00 piece
	O-01100-00000-898	Recessed grip, PR.137-PF-C1	1.00 piece

Item	Article	Designation	Quantity
2	R-05085-86200-V01	Water bath + water gutter (ASP-300)	



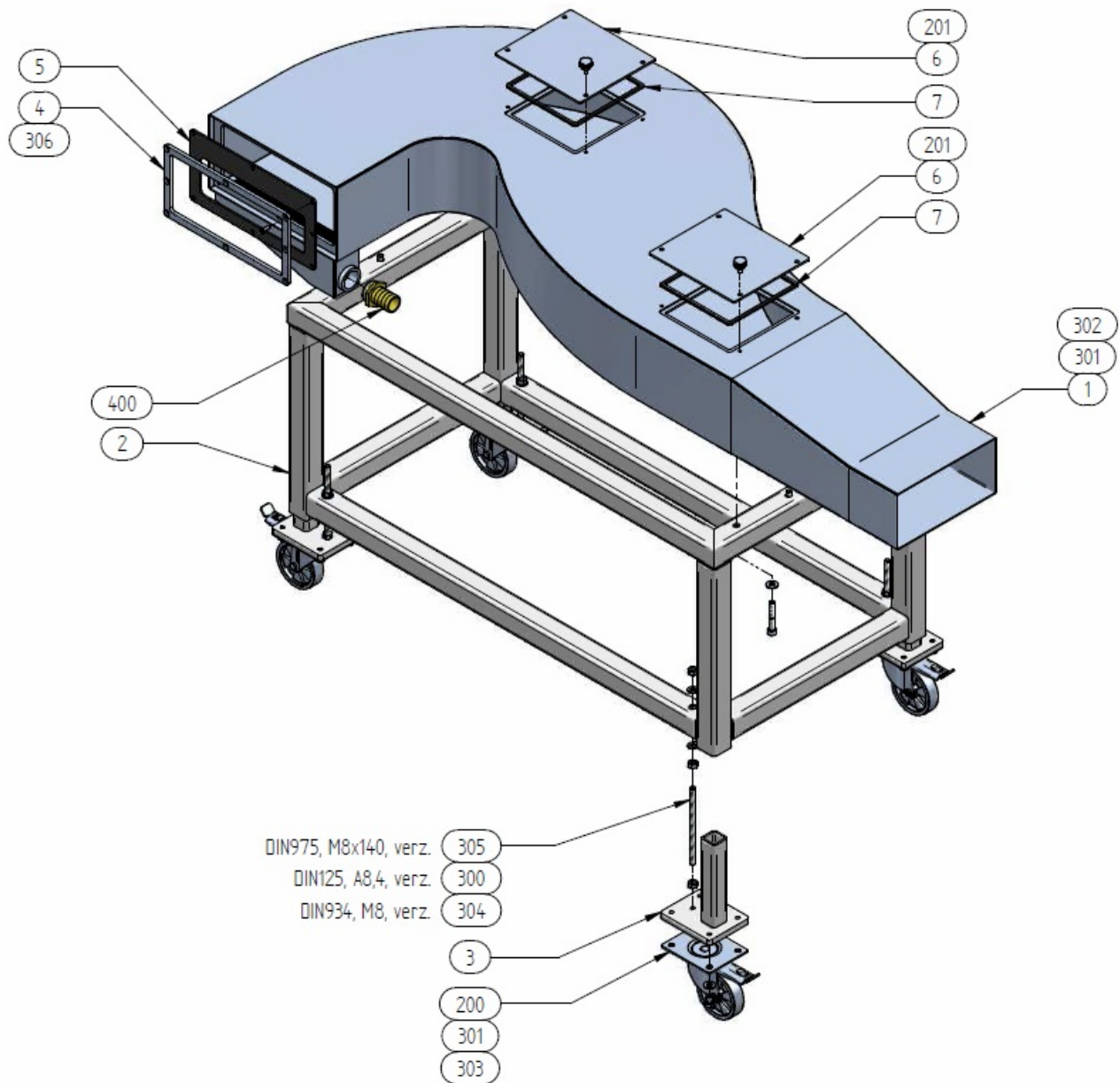
Item	Article	Designation	Quantity
------	---------	-------------	----------



1	A-05085-86201-V00	Water bath + casing (ASP-300)	1.00 piece
2	A-05085-86210-V03	Water gutter, 90°, slides at the side (ASP-300)	1.00 piece
3	A-05085-86218-V00	Control cabinet (ASP-300)	1.00 piece
4	A-05085-86213-V01	Cover for water gutter, 825x260mm	1.00 piece
5	A-05085-86212-V03	Slide for water strainer, 3mm longitudinal rib	1.00 piece
6	A-05085-86211-V03	Guidance for slide + water strainer, 3mm longitudinal rib	1.00 piece
7	A-05085-86214-V02	Sealing, 262x144mm (granulator outlet)	3.00 piece
8	A-05085-86215-V02	Clamping plate for seal (granulator outlet)	1.00 piece
9	A-05085-86209-V01	Connection plate for fresh/waste water (water bath)	1.00 piece
10	A-05085-86216-V00	Threaded flange DN65	2.00 piece
11	A-05085-09033-V00	Screwed rod M6	1.00 piece
12	A-05055-02042-V00	PA sleeve	1.00 piece
13	A-05085-86224-V01	Step protection for plugs (water basin)	1.00 piece
14	A-05085-86225-V01	Step protection for water-connection (water basin)	1.00 piece
15	A-05085-86229-V00	Slide at the side for water gutter	2.00 piece
16	A-05085-86230-V00	Extension for star knob	1.00 piece
17	A-05085-86227-V00	Sealing for fines screen, 527x62mm	6.00 piece
200	O-01100-00000-857	Bow-shaped handle EBP	3.00 piece
201	O-01100-00001-145	Star grip, DIN6336, M6	1.00 piece
202	G-04000-00000-008	Seal profil 010005	2.00 m
203	G-05100-00065-001	Flange gasket DN 65, 76x126x3	1.00 piece
204	G-05100-00065-002	Flange gasket DN 65, 70x110x3mm	2.00 piece
205	O-01100-00000-898	Recessed grip, PR.137-PF-C1	12.00 piece
206	O-01100-00000-540	Pressure pad	2.00 piece
207	O-01100-00000-983	Knurled screw, GN 535, M5x10	2.00 piece

Item	Article	Designation	Quantity
208	O-01100-00001-043	Vertical clamp, GN 810-130-C-NI	4.00 piece
209	O-01100-00000-911	Telescopic slide ST508, L=1000mm	2.00 piece
300	F-00125-05000-002	Washer DIN 125, A5,3 stainless	16.00 piece
301	F-00125-06000-002	Washer, DIN125, A6,4, stainless	20.00 piece
302	F-00125-08000-002	Washer, DIN125, A8,4, stainless	4.00 piece
303	F-00125-13000-002	Washer, DIN125, A13, stainless	5.00 piece
304	F-00125-17000-002	Washer, DIN125, A17, stainless	4.00 piece
305	F-00134-08000-002	Washer DIN 134, 8,4 stainless	4.00 piece
306	F-00912-05008-002	Hexagon socket head cap screw DIN 912, M5x8	16.00 piece
307	F-00912-05016-001	Hexagon socket head cap screw, DIN 912, M5x16, stainless	12.00 piece
308	F-00912-06010-002	Hexagon socket head cap screw, DIN 912, M6x10, stainless	12.00 piece
309	F-00912-06030-003	Hexagon socket head cap screw, DIN 912, M6x30, stainless	6.00 piece
310	F-00912-08016-002	Hexagon socket head cap screw, DIN 912, M8x16, stainless	4.00 piece
311	F-00912-08020-002	Hexagon socket head cap screw, DIN 912, M8x20, stainless	4.00 piece
312	F-00933-12035-003	Hexagon head screw, DIN 933, M12x35, stainless	2.00 piece
313	F-00933-16060-003	Hexagon head screw DIN 933, M16x60, niro	8.00 piece
314	F-07991-05008-002	Hexagon socket countersunk screw DIN 7991, M5x8 stainless	8.00 piece
315	F-07991-06016-002	Hexagon socket countersunk screw, DIN 7991, M6x16, stainless	8.00 piece
316	F-07991-08016-002	Hexagon socket countersunk screw, DIN 7991, M8x16, stainless	5.00 piece
317	F-00934-06000-002	Hexagon nut, DIN 934, M6, stainless	2.00 piece
318	F-00934-10000-002	Hexagon nut DIN 934, M10, ni	2.00 piece
319	F-00934-12000-003	Hexagon nut, DIN 934, M12, stainless	3.00 piece
320	F-00934-16000-002	Hexagon nut, DIN 934, M16, stainless	12.00 piece
321	F-00913-08050-002	Set screw, DIN 913, M8x50, stainless	4.00 piece
322	F-00975-12100-002	Screwed rod, DIN 975, M12x100, stainless	2.00 piece
323	F-07380-06010-002	Hexagon socket button head screw, ISO 7380, M6x10, niro	8.00 piece
324	F-00580-16060-002	Lifting eye bolt DIN 580, M16, 8.8, galvanized	3.00 piece
400	J-02100-00000-004	Pump CM50-160A, 480V/60Hz	1.00 piece
401	J-05100-00000-047	Twin filter DN 65, Z45540, 2.04.5	1.00 piece
402	J-05100-00000-011	Ball valve, 3/8", stainless	2.00 piece
403	J-05100-00000-010	Ball valve, 1", stainless	1.00 piece
404	J-07100-00000-451	Tee, 307, 3/8", stainless	1.00 piece
405	J-07100-00000-286	Tee, 307, 1", stainless	2.00 piece
406	J-07100-00000-039	Angle 90°, 304, 3/8", stainless	2.00 piece
407	J-07100-00000-312	Angle 90°, 304, 1", stainless	1.00 piece
408	J-07100-00000-038	Angle 90°, 304, 2", stainless	1.00 piece
409	J-07100-00000-302	Angle 90°, 301, 6/4", stainless	1.00 piece
410	J-07100-00000-473	Angle 45°, 303, 6/4", stainless	1.00 piece
411	J-07100-00000-452	Threaded connection, 311AGA, 3/4", stainless	1.00 piece
412	J-07100-00000-035	Union flat seat, 316, 1", stainless	1.00 piece
413	J-07100-00000-161	Hose nozzle, 337, 3/8", DM 13mm, stainless	4.00 piece
414	J-07100-00000-095	Hose nozzle, 337, 3/4", DM 25mm, stainless	1.00 piece
415	J-07100-00000-100	Hose nozzle, 337, 6/4", DM 38mm, stainless	5.00 piece
416	J-07100-00000-096	Hose nozzle, 337, 1", DM 25mm, stainless	5.00 piece
417	J-07100-00000-108	Hose clamp ABA 15-24	4.00 piece
418	J-07100-00000-158	Hose clamp ABA 48-51	4.00 piece
419	J-07100-00000-146	Water hose CS 13, NW 13x4mm	5.00 m
420	J-07100-00000-144	Universal hose Uniflex 10C, NW 38mm / 1 1/2"	5.00 m
421	J-07100-00000-077	Double nipple, 310, 1", L=100 mm, stainless	1.00 piece
422	J-07100-00000-436	Double nipple, 310, 1", L=180 mm, stainless	1.00 piece
423	J-07100-00000-088	Reducing bush, 325, 2"-6/4", stainless	1.00 piece
424	J-07100-00000-129	Quick connector, unio, 1"	2.00 piece
425	J-07100-00000-130	Nut R 1"	1.00 piece
500	M-03300-00000-040	Temperature sensor FECU 3m (PTFE- cable coating)	1.00 piece
501	L-06100-00000-022	Male stud nipple M12x1/35	1.00 piece
502	J-05100-00000-051	Ball valve, 3/4", 24VDC with safety shutdown	1.00 piece
	A-05085-86206-V01	Screen (centrifuge/water gutter)	2.00 piece

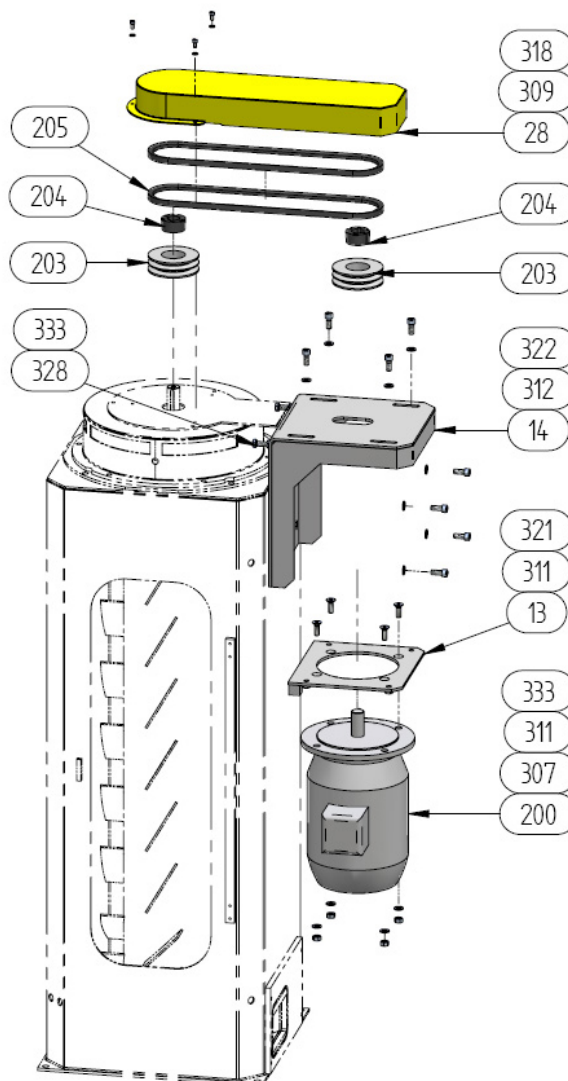
Item	Article	Designation	Quantity
3	R-05085-86300-V00	90° Water gutter (ASP-300)	



1	A-05085-86301-V02	Gutter (90° Water gutter)	1.00	piece
2	A-05085-86302-V00	Base frame (90° Water gutter)	1.00	piece
3	A-05085-86303-V00	Telescope insert (90° Water gutter)	4.00	piece
4	A-05085-86304-V01	Clamping plate for sealing, 262x106mm (90° Wasserrinne)	1.00	piece
5	A-05085-86305-V01	Sealing, 262x106mm (90° Water gutter)	3.00	piece
6	A-05085-86306-V01	Cover, 230x110mm (90° Water gutter)	2.00	piece
7	A-05085-86307-V01	Sealing for Cover, 198x98mm (90° Water gutter)	4.00	piece
8	A-05085-86306-V00	Cover (90° Water gutter)	1.00	piece
9	A-05085-86307-V00	Sealing for Cover (90° Water gutter)	2.00	piece
10	A-05085-86308-V00	Cable channel for intermediate pan	1.00	piece
200	O-01100-00000-978	Guide roller with parking brake, CDT 80 TLK	4.00	piece
201	O-01100-00000-983	Knurled screw, GN 535, M5x10	12.00	piece
300	F-00125-08000-001	Washer, DIN 125, A8,4, galv.	8.00	piece
301	F-00134-08000-002	Washer DIN 134, 8,4 stainless	22.00	piece
302	F-00912-05016-001	Hexagon socket head cap screw, DIN 912, M5x16, stainless	8.00	piece
303	F-00912-08050-002	Hexagon socket head cap screw DIN 912, M8x50	6.00	piece
304	F-00933-08012-001	Hexagon head screw DIN 933, M8x12 stainless	16.00	piece
305	F-00934-08000-001	Hexagon nut DIN 934, M8, 8, galvanised	12.00	piece
306	F-00975-08130-001	Screwed rod, DIN 975, M8x130, 8.8, galv.	4.00	piece
307	F-07380-06008-001	Hexagon socket button head screw ISO 7380, M6x8, 8.8	4.00	piece
400	J-07100-00000-096	Hose nozzle, 337, 1", DM 25mm, stainless	1.00	piece
4	R-05085-86400-V00	Centrifuge (ASP-300)		

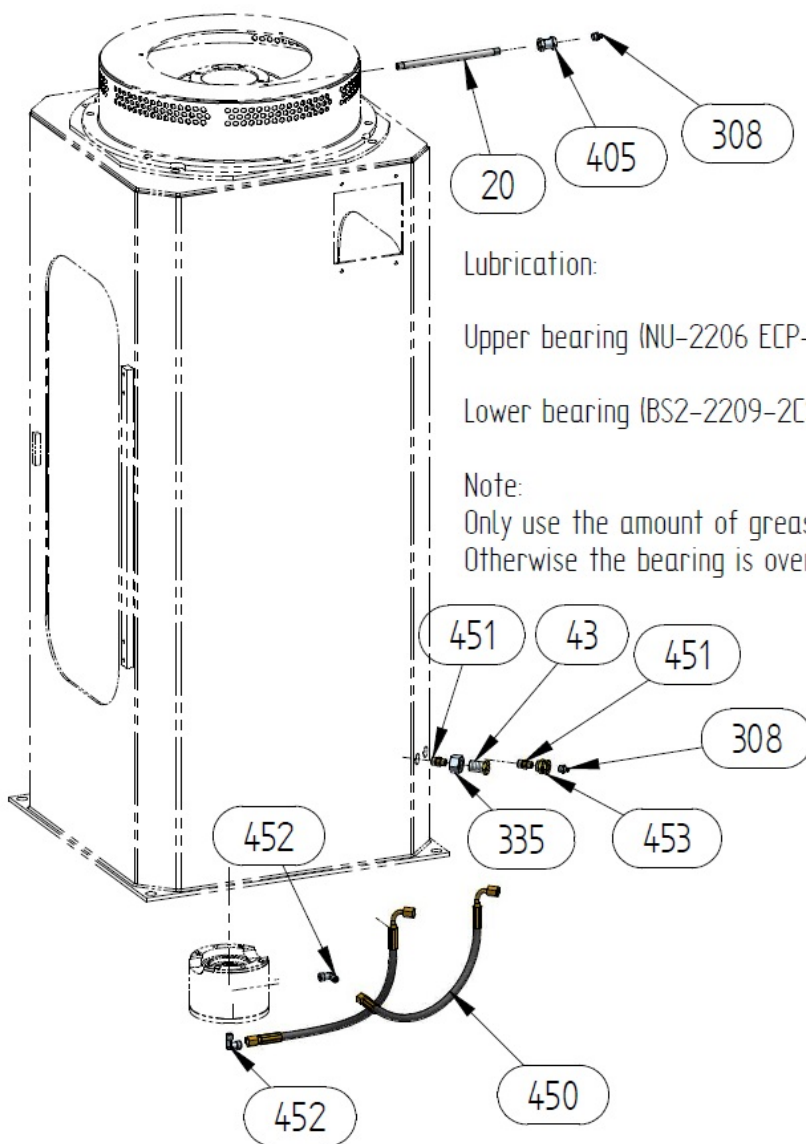
Item	Article	Designation	Quantity
17	A-05085-09017-V04	Outlet (centrifuge)	1.00 piece
18	A-05085-09018-V00	Fan	1.00 piece
37	A-06100-01003-V04	Cyclone d360/630	1.00 piece
41	A-05085-09043-V01	Bearing housing	1.00 piece
42	A-05085-09044-V00	Cover grid rotor	1.00 piece
46	A-05165-06032-V02	Distance ring Ø36xØ30x5	1.00 piece
202	C-02200-00045-004	Self aligning roller bearing BS2-2209-2CS/C3	1.00 piece
207	G-02100-00045-003	Radial shaft seal FPM45x60x8 - Viton	2.00 piece
208	G-02100-00030-002	Radial shaft seal FPM 30x47x7,DIN3760	1.00 piece
209	G-01000-00079-000	O-Ring 79 x 3 mm, NBR	1.00 piece
212	O-01100-00001-064	Handle bar 200-0524/200-9418	2.00 piece
213	G-04000-00000-002	Sealing P010015	4.80 m
214	F-01400-00000-007	Hinge 50x50 schwarz	4.00 piece
216	O-01100-00000-447	Seal ring DN150 (Jacob)	1.00 piece
217	E-06885-00000-034	Parallel key DIN 6885, 8x7x60	2.00 piece
218	O-01100-00000-446	Quick Connect pull-ring DN150 (Jacob)	1.00 piece
221	C-02100-00030-001	Cylinder roller bearing NU 2206 ECP	1.00 piece
222	G-01000-00056-000	O-Ring 56 x 3 mm, NBR	1.00 piece
223	G-02100-00038-002	Radial shaft seal FPM 38x50x7,DIN3760	2.00 piece
224	G-02700-00045-003	V-Ring VA-45 - FPM	1.00 piece
305	F-07991-06012-002	Hexagon socket countersunk screw, DIN 7991, M6x12, stainless	16.00 piece
309	F-00125-06000-002	Washer, DIN125, A6,4, stainless	7.00 piece
312	F-00125-10000-002	Washer DIN 125, A10,5, stainless	6.00 piece
313	F-00125-13000-002	Washer, DIN125, A13, stainless	8.00 piece
316	F-00471-00030-002	Safety ring, DIN471, Ø30, stainless	1.00 piece
317	F-00471-00045-002	Fixing washer d45 DIN 471, Niro	2.00 piece
318	F-00912-06012-002	Hexagon socket head cap screw, DIN 912, M6x12, stainless	15.00 piece
319	F-00912-06080-001	Hexagon socket head cap screw DIN 912, M6x80	4.00 piece
320	F-00912-08020-002	Hexagon socket head cap screw, DIN 912, M8x20, stainless	3.00 piece
322	F-00912-10025-003	Hexagon socket head cap screw DIN 912, M10x25	6.00 piece
323	F-00912-12030-002	Hexagon socket head cap screw DIN 912, M12x30	8.00 piece
325	F-00931-08100-001	Hexagon head screw DIN 931, M8x100 stainless	8.00 piece
332	F-00934-08000-002	Hexagon nut, DIN 934, M8, niro	3.00 piece
340	F-00134-06000-002	Washer, DIN 134, 6,4, stainless	4.00 piece
341	F-00912-04010-001	Hexagon socket head cap screw DIN 912, M4x10	2.00 piece
342	F-00125-04000-002	Washer DIN 125, A4,3 stainless	2.00 piece

Item	Article	Designation	Quantity
2	R-05085-09100-V01	Drives centrifuge HD300	



13	A-05085-09013-V00	Motor plate (dryer)	1.00 piece
14	A-05085-09014-V01	Motor bracket	1.00 piece
28	A-05085-09028-V01	Cover (v-belts)	1.00 piece
200	B-01100-00040-002	Motor 4kW W22 IE2 1500U/m (H 300/500/700 dryer)	1.00 piece
203	B-04102-00106-001	V-belt pulley SPA D=106,TL1610 2x	2.00 piece
204	E-01001-01610-001	Taper-Lock bushing 1610/28	2.00 piece
205	B-03100-01140-001	V-belt XPA, l = 1140 mm	2.00 piece
307	F-07991-10030-000	Hexagon socket countersunk screw DIN 7991, M10x30, 8.8	4.00 piece
309	F-00125-06000-002	Washer, DIN125, A6,4, stainless	3.00 piece
311	F-00125-10000-000	Washer, DIN 125, A10,5, galv.	8.00 piece
312	F-00125-10000-002	Washer DIN 125, A10,5, stainless	4.00 piece
318	F-00912-06012-002	Hexagon socket head cap screw, DIN 912, M6x12, stainless	3.00 piece
321	F-00912-10025-001	Hexagon socket head cap screw DIN 912, M10x25, 10.9 geom.	4.00 piece
322	F-00912-10025-003	Hexagon socket head cap screw DIN 912, M10x25	4.00 piece
328	F-00933-10080-001	Hexagon head screw DIN 933, M10x80, 8.8	2.00 piece
333	F-00934-10000-001	Hexagon nut DIN 934, M10 8 galvanised	6.00 piece

Item	Article	Designation	Quantity
3	R-05085-09140-V01	Hydraulics HD300	



Lubrication:

Upper bearing (NU-2206 ECP-C3): 1 gram / 400 hours

Lower bearing (BS2-2209-2CS-C3): 4 gram / 400 hours

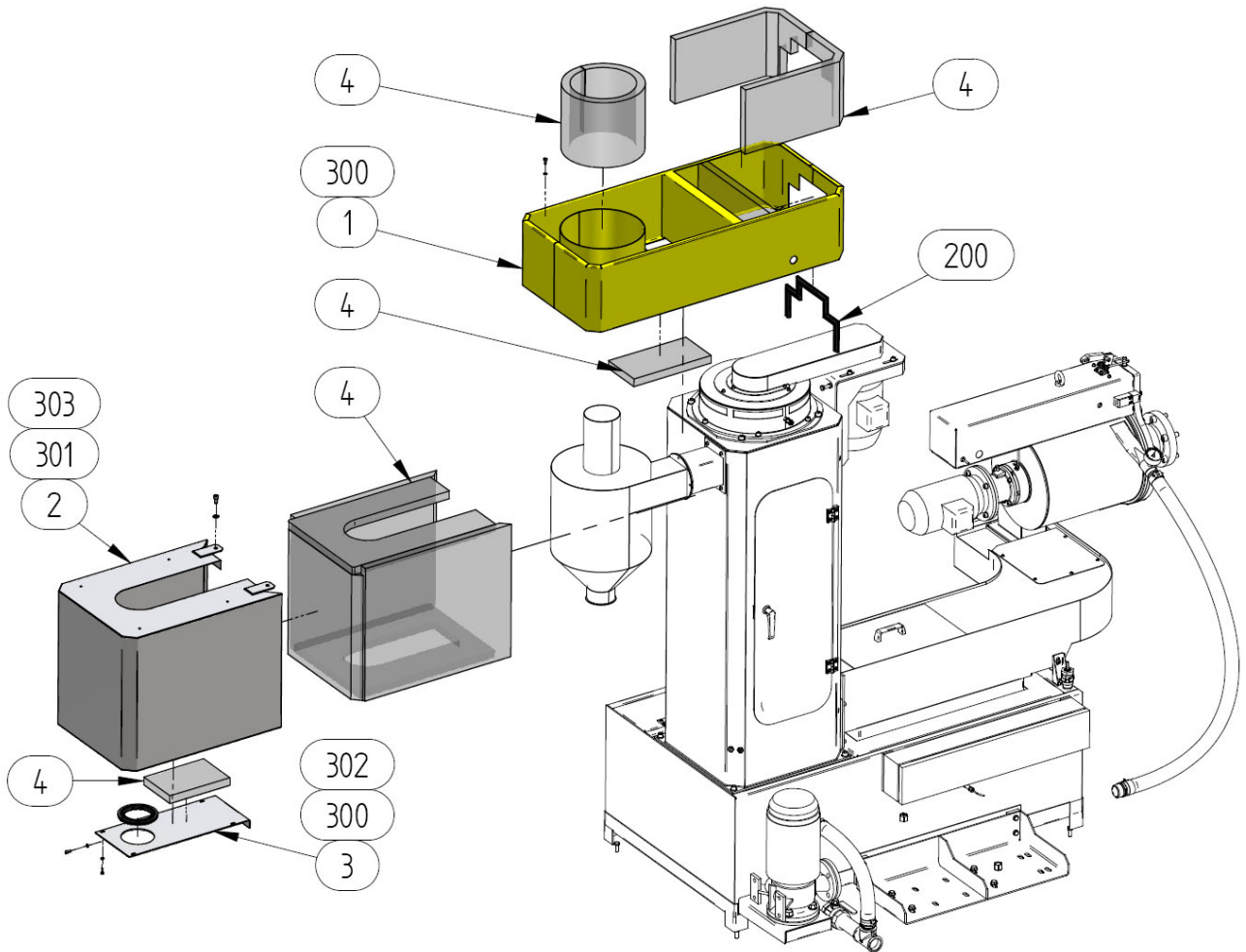
Note:

Only use the amount of grease as requested for each bearing. Otherwise the bearing is overlubricated.

20	A-05085-09020-V00	Lubrication rod	1.00 piece
40	A-05085-09047-V00	Screwed rod M16	1.00 piece
308	F-74412-10800-001	Lubrication nipple DIN 74412 1/8" 8.8	2.00 piece
405	J-07100-00000-208	Socket, 333, 1/8", stainless	1.00 piece
450	H-07100-00000-009	Hydraulic hose 450mm (dryer)	2.00 piece
451	H-07100-00000-005	Fitting GE 6-LR/OMD-1/8" (lubrication line)	2.00 piece
452	H-07100-00000-020	Male stud elbow 1/8"	2.00 piece
453	L-07100-00000-012	Bulkhead coupling 3060, 1/8", M16x1,5	1.00 piece
454	F-00934-16000-002	Hexagon nut, DIN 934, M16, stainless	1.00 piece

Item	Article	Designation	Quantity
------	---------	-------------	----------

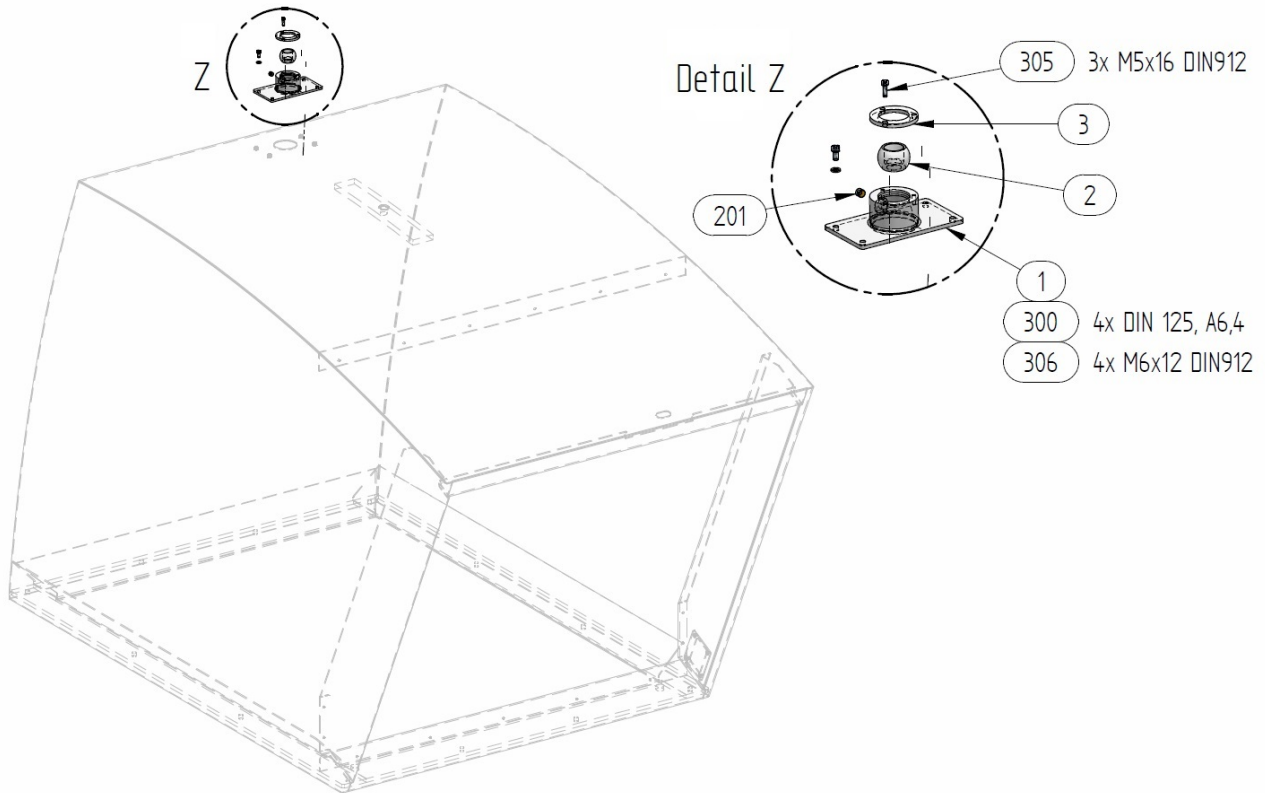
4 R-06300-01000-V07 Soundproof hood for pelletizer



1	A-06300-01013-V00	Soundproof (tower for centrifuge)	1.00 piece
2	A-06300-01014-V00	Soundproof (cyclone)	1.00 piece
3	A-06300-01016-V00	Fixing angle (soundproof cyclone)	1.00 piece
4	A-06300-01018-V01	Layout insulating mat (cyclone)	1.00 piece
5	A-06300-01035-V00	Layout insulating mat (tower for centrifuge)	1.00 piece
200	G-04000-00000-001	Sealing P010014	1.00 m
300	F-00125-06000-001	Washer, DIN125, A6,4, galv.	10.00 piece
301	F-00125-10000-000	Washer, DIN 125, A10,5, galv.	2.00 piece
302	F-00912-06016-001	Hexagon socket head cap screw DIN 912, M6x16 8.8 galvanized	10.00 piece
303	F-00912-10020-001	Hexagon socket head cap screw, DIN 912, M10x20, 8.8, galv.	2.00 piece
701	R-00000-70000-V17	Electrical equipment	
1	A-03065-04020-V01	Operate sheet switchboard	1.00 piece
2	J-06100-00000-048	Air-Water-Heat exchanger SK3364.100	1.00 piece
3	J-06100-00000-049	Air-Water-Heat exchanger SK3374.100	1.00 piece
4	J-06100-00000-062	Condensate collecting bottle for heat-exchanger SK 3301.600	2.00 piece
5	M-01100-00000-261	Modem eWon Flexy201	1.00 piece
6	M-01100-00000-262	FLX3101 Ethernet-extension card for Flexy	1.00 piece
7	M-01100-00000-272	ATP SD Card 1GB for Beijer-terminals	2.00 piece
8	M-01100-00000-372	Harting 8-port Switch eCon 3080B-A	2.00 piece
9	M-01100-00000-390	Beijer X2 pro 12 Panel	1.00 piece
10	M-01100-01000-150	4/8 F-DI, ET200SP, 6ES7136-6BA00-0CA0	4.00 piece
11	M-01100-01000-151	SIMATIC ET 200SP, 6ES7193-6BP20-0DA0, BASEUNIT BU15-P16+A10+2D	10.00 piece
12	M-01100-01000-152	SIMATIC ET 200SP, 6ES7193-6BP20-0BA0, BASEUNIT TYP A0	26.00 piece
13	M-01100-01000-153	4 F-DO, ET200SP, 6ES7136-6DB00-0CA0	3.00 piece
14	M-01100-01000-154	8 DI, ET200SP, 6ES7131-6BF01-0BA0	14.00 piece
15	M-01100-01000-155	4AI TC HF, ET200SP, 6ES7134-6JD00-0CA1	7.00 piece
16	M-01100-01000-156	4AI, ET200SP, 6ES7134-6GD00-0BA1	3.00 piece
17	M-01100-01000-157	8 DO, ET200SP, 6ES7132-6BF00-0BA0	11.00 piece
18	M-01100-01000-159	1512SP F-1 PN CPU ET200SP, 6ES7512-1SK01-0AB0	1.00 piece
19	M-01100-01000-160	ET 200SP, BUSADAPTER BA 2XRJ45, 6ES7193-6AR00-0AA0	2.00 piece
20	M-01100-01000-165	ET 200SP, 6ES7193-6BP40-0BA1, BASEUNIT BU15-P16+A0+12B/T	7.00 piece
21	M-01100-01000-178	RQ 230/5A, ET200SP, 6ES7132-6HD00-0BB1	1.00 piece
22	M-01100-01000-184	S7-1500, Micro Memory Card, 12 MB, 6ES7954-8LE02-0AA0	1.00 piece
23	M-01100-01000-185	4 DO/2A, ET200SP, 6ES7132-6BD20-0BA0	1.00 piece
24	M-01100-01000-202	ET 200SP, 6ES7193-6BP20-0BB1, Base-Unit BU20-P12+A0+4B	1.00 piece
102	M-02100-00000-108	Softstarter, 30 kW / 400 V and 480 V	1.00 piece
116	M-02100-00000-179	Frequency converter 75/90 kW, PN, STO, Vacon 380-500V	1.00 piece

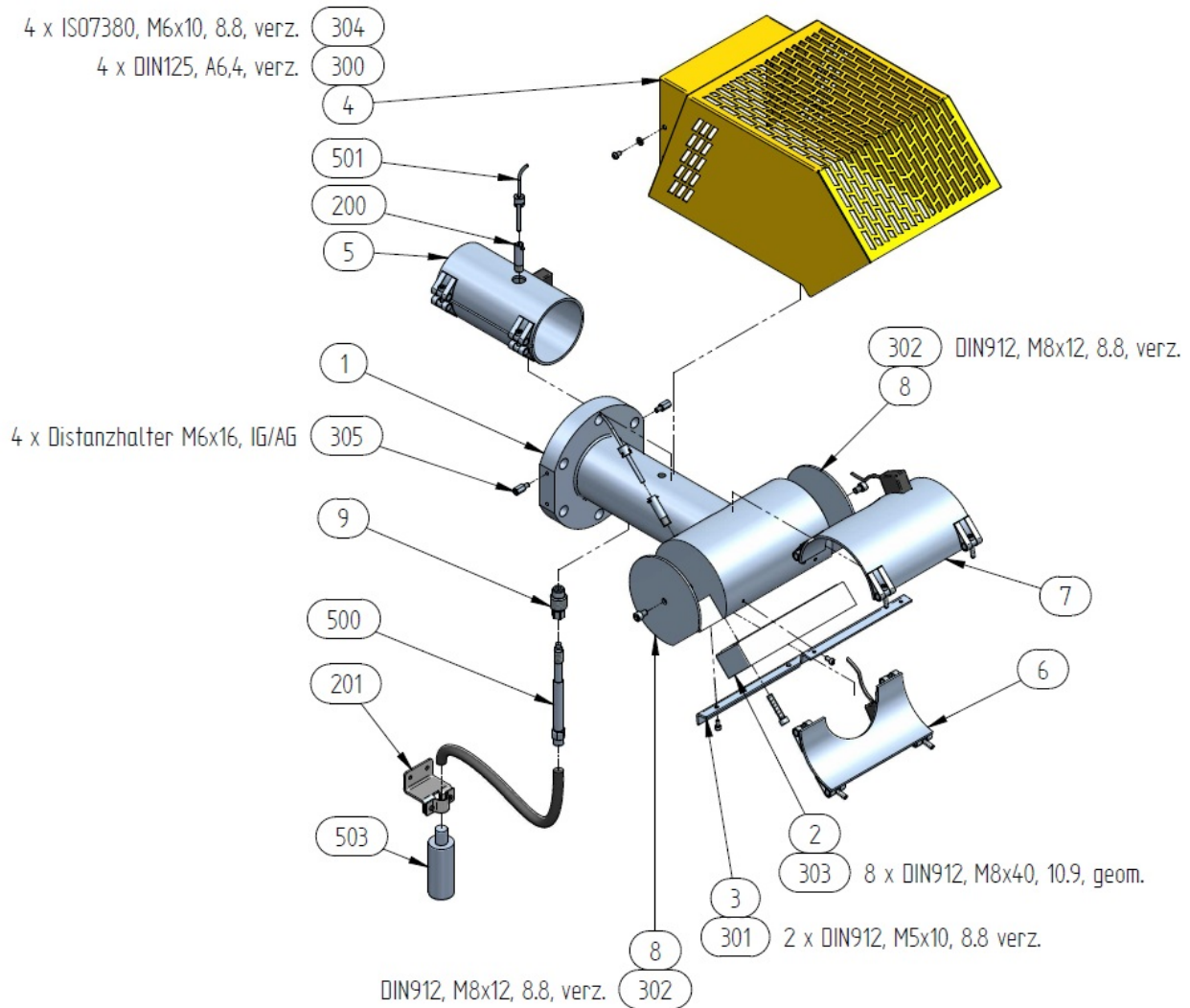
Item	Article	Designation	Quantity
201	M-03200-00000-014	Panel jack USB-2.0 (control panel)	1.00 piece
202	M-04100-00000-017	Main control cabinet L-/S-Gran 65-85 TS8 1200/1600/500	1.00 piece
203	M-04100-00000-018	Control cabinet L-/S-Gran 65/75 TS8 800/1600/500	1.00 piece
9	M-01100-00000-411	Beijer X2 pro 7 Panel	1.00 piece
9	M-02100-00000-196	Vacon 20, 1,5kW, 380-500V, 0020-3L-0005-4+EMC2+QPES	1.00 piece
9	M-02100-00000-243	Vacon 20, 0,75kW, 380-500V, 0020-3L-0003-4+EMC2+QPES	1.00 piece
9	M-02100-00000-253	Break resistance BR130R0,4T	2.00 piece
9	M-02100-00000-266	Frequency converter 5,5/7,5 kW, PN, Vacon 380-500V	1.00 piece
9	M-02100-00000-297	SX-OPT-E9 Additional card 2port Ethernet NXP/NXS/100/20	2.00 piece
9	M-02100-00000-298	Vacon 20 extension kit for optioncard, ENC-SLOT-MC03-13	2.00 piece
9	M-01100-01000-205	ET200SP IM155-6 PN ST, 6ES7155-6AU00-0BN0	1.00 piece
	M-99000-17108-000		1.00 piece
	M-99000-17108-001		1.00 piece
7	M-01100-00000-272	ATP SD Card 1GB for Beijer-terminals	1.00 piece
9	M-01100-00000-390	Beijer X2 pro 12 Panel	1.00 piece
9	M-02100-00000-257	Additional card OPTBJ STO-card	1.00 piece
735	R-00075-00480-v01	Spare part package S:GRAN 75 V HD 480 V	
1	A-02350-07051-V00	Knife holder CF200-300	5.00 piece
3	A-02350-07035-V02	Sliding strip , PAS-LX, CF300, l=868mm, b=30mm	4.00 piece
4	A-02350-07052-V00	Rotor knife 30/30/25 (CF200-700)	72.00 piece
6	A-02350-03039-V08	Sealing strip above 26x25 - CF300	1.00 piece
7	A-02350-07008-V00	Stationary knife CF 200-700	6.00 piece
9	A-03065-03009-V00	Silicon seal for S:GRAN	1.00 piece
13	F-00912-16035-002	Hexagon socket head cap screw DIN 912, M16x35,10.9, black	20.00 piece
14	F-00912-12050-001	Hexagon socket head cap screw DIN 912, M12x50,10.9	10.00 piece
15	F-00933-16055-001	Hexagon head screw DIN 933, M16x55 8.8, galvanized	5.00 piece
16	F-07991-12025-001	Hexagon socket countersunk screw DIN 7991, M12x25,10.9	20.00 piece
17	F-07991-10025-001	Hexagon socket countersunk screw DIN 7991, M10x25,10.9	20.00 piece
18	O-01100-00000-012	Screen d116,3-20 mesh 841 µm	200.00 piece
20	O-01100-00000-013	Screen d116,3 - 24/110 mesh 125 µm	100.00 piece
22	O-01100-00000-292	Heating cartridge, 480 V (K-SWE-121)	1.00 piece
24	A-02350-07039-V01	Sealing strip bottom for CF300, wide version	1.00 piece
25	A-02350-07036-V03	Sealing strip sidewise for CF300, left	1.00 piece
26	A-02350-07036-V13	Sealing strip sidewise for CF300, right	1.00 piece
27	L-06100-00000-017	Heater band ø153 l48 (150/480) 440-480V (HCU)	1.00 piece
28	A-04300-05003-V10	Heater band 120 l90 440-480V (adapter)	1.00 piece
29	A-05085-85004-V10	Heating band ASP-300, Ø100/l=200mm, 440-480V	1.00 piece
30	A-05085-85006-V10	Heating band below ASP-300, Ø150/l=210mm, 440-480V	1.00 piece
31	A-07065-01012-V10	Heater band 160 l75 440-480V 1200W (venting unit)	1.00 piece
32	A-07065-01012-V11	Heater band 160 l140 440-480V (venting unit)	1.00 piece
33	A-07065-01012-V12	Heater band 160 l80 440-480V (venting unit)	1.00 piece
34	A-07065-01013-V10	Heater band 160 l110 440-480V (venting unit)	1.00 piece
35	L-06100-00000-065	Heater band ø163 l48 (160/480) 440-480V (HCU)	1.00 piece
	A-03075-01006-V01	Cutting ring, ø67	1.00 piece
	A-05085-85005-V10	Heating band above ASP-300, Ø150/l=210mm, 440-480V	1.00 piece
786	R-00075-00000-V00	Accessories kit S:GRAN 75	
2	A-99085-01004-V00	Pulling-off device	1.00 piece
3	O-01100-00000-071	Tool-box A:GRAN / S:GRAN / F:GRAN	1.00 piece
4	O-01100-00000-012	Screen d116,3-20 mesh 841 µm	50.00 piece
5	O-01100-00000-013	Screen d116,3 - 24/110 mesh 125 µm	50.00 piece
6	M-04300-00000-028	Mechanical interlock for main switch	1.00 piece
790	R-00065-00000-V10	Electronic part package S:GRAN / L:GRAN / F:GRAN / X:GRAN	
15	M-03300-00000-042	Temperature sensor FECU 10m (PTFE- cable coating)	1.00 piece
24	M-01200-01000-182	Solid state relay 3RF2420-1AB45, 3phase 3RF2AC51, 20A	1.00 piece
32	M-03200-00000-010	Light barrier OES 6-18 M 8000 P3K-BSL	1.00 piece
33	M-03100-00000-010	Proximity switch BES M12MI-PSC40B-S04G	1.00 piece
38	M-04400-00000-003	Fuse Siba Ultra Rapid 10x38 20A 600V gRL (gs)	6.00 piece
40	M-01200-01000-195	3NW70341, Security switch 3P, 32A, 10X38mm	1.00 piece

Item	Article	Designation	Quantity
0	R-99065-01000-V08	Mounting network-camera (S:GRAN)	



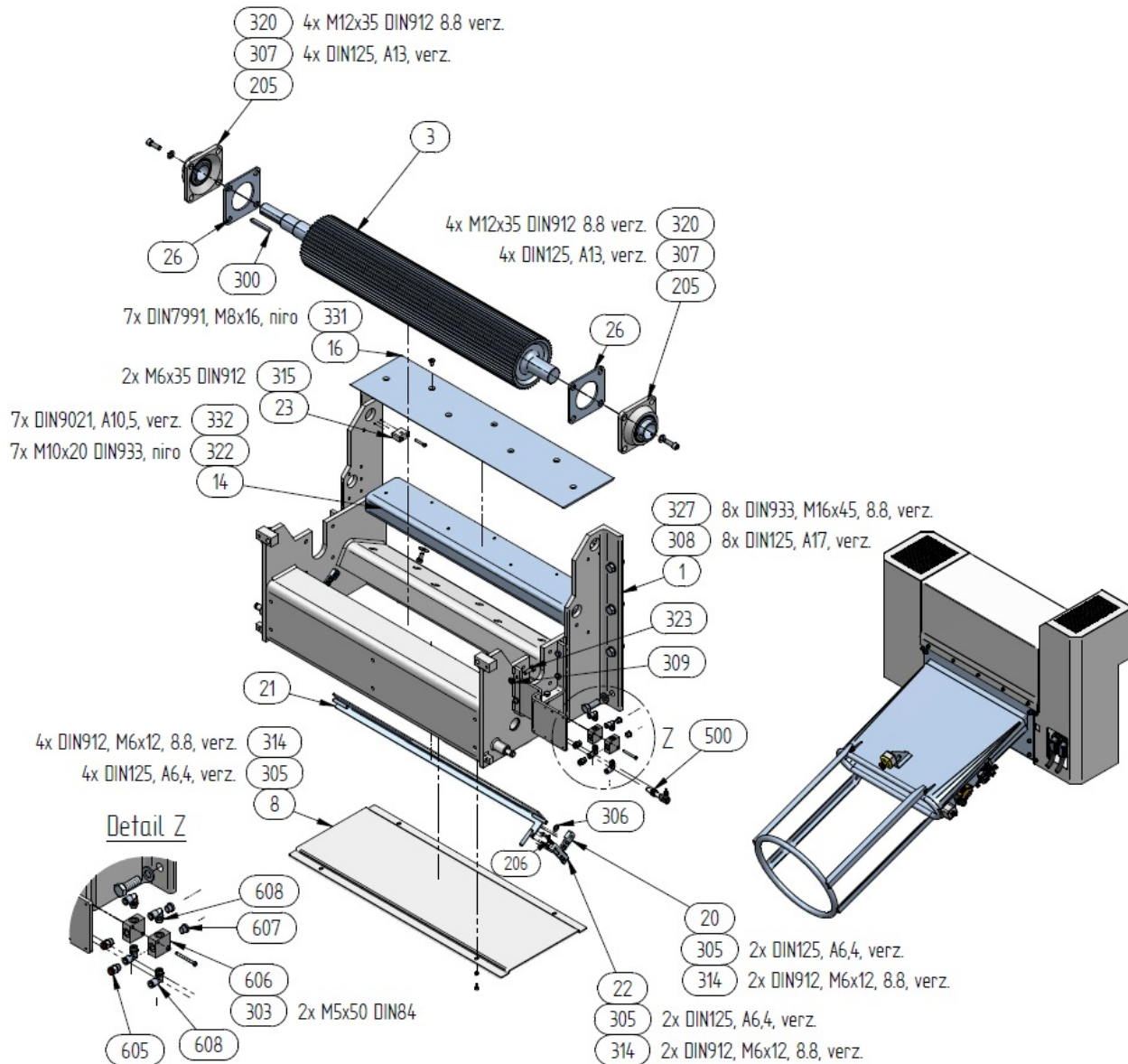
1	A-01300-07010-V02	Bracket (network camera)	1.00 piece
2	A-01500-02019-V02	Support for network camera	1.00 piece
3	A-01300-07012-V01	Disk (mounting network-camera)	1.00 piece
200	O-02100-00000-018	AXIS P1214 network-camera	1.00 piece
201	L-07100-00000-095	Male stud coupling 6-1/8"	1.00 piece
300	F-00125-06000-001	Washer, DIN125, A6,4, galv.	4.00 piece
305	F-00912-05016-002	Hexagon socket head cap screw, DIN 912, M5x16, 8.8, galvanized	3.00 piece
306	F-00912-06016-001	Hexagon socket head cap screw DIN 912, M6x16 8.8 galvanized	4.00 piece

Item	Article	Designation	Quantity
0	R-05085-85000-V00	Strand head + Cover (ASP-300)	



1	A-05085-85001-V01	Strand head ASP-300 (K-SWE-121/RS - insulated)	1.00	piece
2	A-05085-85002-V02	Strand die plate ASP-300 (10 x Ø5)	1.00	piece
3	A-05085-85003-V00	Mounting angle for heating band ASP-300 (l=210mm)	2.00	piece
4	A-05085-85008-V00	Cover for strand head ASP-300 (K-SWE-125)	1.00	piece
5	A-05085-85004-V10	Heating band ASP-300, Ø100/l=200mm, 440-480V	1.00	piece
6	A-05085-85006-V10	Heating band below ASP-300, Ø150/l=210mm, 440-480V	1.00	piece
7	A-05085-85005-V10	Heating band above ASP-300, Ø150/l=210mm, 440-480V	1.00	piece
8	A-05085-85007-V00	Isolation for strand head ASP-300 (Ø145, s=4mm)	2.00	piece
9	A-04500-04002-V00	Retainer (pressure device)	1.00	piece
200	L-06100-00000-022	Male stud nipple M12x1/35	2.00	piece
201	M-03400-00000-002	Bracket SF 18 (pressure device)	1.00	piece
300	F-00125-06000-001	Washer, DIN125, A6,4, galv.	4.00	piece
301	F-00912-05010-001	Hexagon socket head cap screw, DIN 912, M5x10, 8.8	4.00	piece
302	F-00912-08012-001	Hexagon socket head cap screw, DIN 912, M8x12, 8.8, galv.	2.00	piece
303	F-00912-08040-001	Hexagon socket head cap screw DIN 912, M8x40,10.9 geom.	8.00	piece
304	F-07380-06010-001	Hexagon socket button head screw ISO 7380, M6x10 8.8 galvan.	4.00	piece
305	F-03318-06016-001	Standoff bolt M6x16, IG/AG	4.00	piece
500	M-03400-00000-018	Melt pressure sensor KE1-6-M-B01C-1-4-D 4-20mA, 0-100 bar	1.00	piece
503	M-03400-00000-003	Connecting cable 10m (pressure device)	1.00	piece
	M-03300-00000-042	Temperature sensor FECU 10m (PTFE- cable coating)	2.00	piece

Item	Article	Designation	Quantity
------	---------	-------------	----------



1	A-01300-21001-V00	Body bottom for RF800	1.00 piece
2	A-01300-21002-V00	Body top for RF800	1.00 piece
3	A-01300-21003-V00	Bottom roll, RF800, toothed	1.00 piece
4	A-01300-21004-V00	Top roll, RF800, toothed	1.00 piece
5	A-01300-21005-V00	Hopper 800x120	1.00 piece
6	A-01300-21006-V00	Cover right	1.00 piece
7	A-01300-21007-V00	Cover left	1.00 piece
8	A-01300-21009-V00	Cover bottom	1.00 piece
9	A-01300-21010-V00	Cover top	1.00 piece
10	A-01300-21011-V00	Sleeve for body	2.00 piece
11	A-01300-21012-V00	Shaft for body	1.00 piece
12	A-01300-21013-V00	Idler gear console	1.00 piece
13	A-01300-21014-V00	Washer for idler gear	2.00 piece
14	A-01300-21016-V00	Holder for scraper bottom	1.00 piece
15	A-01300-21017-V00	Top scraper	1.00 piece
16	A-01300-21018-V00	Bottom scraper	1.00 piece
17	A-01300-21019-V00	Idler gear shaft	2.00 piece
18	A-01300-21020-V00	Hopper attachment Ø600	1.00 piece
19	A-01300-21021-V00	Teeter board top	1.00 piece
20	A-01300-21022-V00	Holder for Teeter board	4.00 piece
21	A-01300-21023-V00	Teeter board bottom	1.00 piece
22	A-01300-21024-V00	Spring bracket	2.00 piece
23	A-01300-21025-V00	Mountening bracket	2.00 piece
24	A-01165-01006-V00	Torque arm	2.00 piece
25	A-01165-01015-V00	Disc (gear)	2.00 piece
26	A-01165-01021-V00	Support sheet	4.00 piece
200	B-06002-00075-006	Gear motor 0,75 kW KUA 50A 81N4-TH	2.00 piece
201	B-99100-00000-031	Gear wheel m5, d150, b=40mm, 30 tooth, bore Ø75H8	2.00 piece
202	B-99100-00000-032	Gear wheel m5, d150, b=40mm, 30 tooth, bore Ø55	2.00 piece

Item	Article	Designation	Quantity
203	C-01100-00030-003	Deep groove ball bearing single-row 63006.-2RS1 d30	4.00 piece
204	C-03100-00025-001	DU-sleeve FMB 2516.5 DU	2.00 piece
205	C-05400-00050-001	Flange bearing RCJY50N	4.00 piece
206	D-02000-00000-001	Pull spring Z-096	4.00 piece
207	D-07100-00000-018	Buffer 244-1-32-6	4.00 piece
208	E-01002-00000-003	Taper tensioning element RLK 133, 45x75	2.00 piece
300	E-06885-00000-037	Parallel key DIN 6885, 10 x 8 x 80	2.00 piece
301	F-00084-04012-001	Slotted cheese head screw DIN 84, M4x12, 8.8	2.00 piece
302	F-00084-05030-001	Slotted cheese head screw DIN 84, M5x30, 8.8	4.00 piece
303	F-00084-05050-001	Slotted cheese head screw DIN 84, M5x50, 8.8	2.00 piece
304	F-00125-05000-001	Washer, DIN 125, A5,3, galv.	6.00 piece
305	F-00125-06000-001	Washer, DIN125, A6,4, galv.	12.00 piece
306	F-00125-10000-000	Washer, DIN 125, A10,5, galv.	24.00 piece
307	F-00125-13000-001	Washer DIN 125, A13, galvanized	25.00 piece
308	F-00125-17000-001	Washer, DIN 125, A17, galv.	10.00 piece
309	F-00439-10000-001	Hexagon nut DIN 439B, M10, 8.8	22.00 piece
310	F-00471-00016-000	Fixing washer d16 DIN 471	4.00 piece
311	F-00472-00035-001	Fixing washer d35 DIN 472	2.00 piece
312	F-00472-00055-000	Fixing washer D55 DIN 472	2.00 piece
313	F-00912-05010-001	Hexagon socket head cap screw, DIN 912, M5x10, 8.8	2.00 piece
314	F-00912-06012-001	Hexagon socket head cap screw, DIN 912, M6x12, 8.8, galv.	12.00 piece
315	F-00912-06035-001	Hexagon socket head cap screw DIN 912, M6x35, 8.8	4.00 piece
316	F-00912-10016-001	Hexagon socket head cap screw DIN 912, M10x16 8.8	17.00 piece
317	F-00912-10025-002	Hexagon socket head cap screw, DIN 912, M10x25, 8.8, galv.	5.00 piece
318	F-00912-12020-001	Hexagon socket head cap screw DIN 912, M12x20, 8.8, galvan.	2.00 piece
319	F-00912-12025-001	Hexagon socket head cap screw, DIN 912, M12x25, 8.8, galvanized	10.00 piece
320	F-00912-12035-001	Hexagon socket head cap screw DIN 912, M12x35, 8.8	16.00 piece
321	F-00912-16040-004	Hexagon socket head cap screw DIN 912, M16x40, 10.9, geom.	2.00 piece
322	F-00933-10020-002	Hexagon head screw DIN 933, M10x20, niro	13.00 piece
323	F-00933-10030-001	Hexagon head screw DIN 933, M10x30, 8.8 galvanized	22.00 piece
324	F-00933-12035-003	Hexagon head screw, DIN 933, M12x35, stainless	4.00 piece
325	F-00933-12045-001	Hexagon head screw DIN 933, M12x45, 8.8	2.00 piece
326	F-00933-12080-001	Hexagon head screw DIN 933, M12x80, 8.8	2.00 piece
327	F-00933-16045-001	Hexagon head screw, DIN 933, M16x45, 8.8, galv.	8.00 piece
328	F-00934-12000-001	Hexagon nut DIN 934, M12, 8, galvanized	6.00 piece
329	F-00934-12000-003	Hexagon nut, DIN 934, M12, stainless	4.00 piece
330	F-00988-25000-001	Support disc 25/35, DIN988	1.00 piece
331	F-07991-08016-002	Hexagon socket countersunk screw, DIN 7991, M8x16, stainless	7.00 piece
332	F-09021-10000-001	Washer DIN 9021, A10,5, 8 galvanized	13.00 piece
333	F-09021-13000-001	Washer, DIN 9021, A13, 8.8, galvanized	2.00 piece
500	M-03100-00000-010	Proximity switch BES M12MI-PSC40B-S04G	2.00 piece
600	L-05100-00000-058	pneumatic assembly RF-1200	1.00 piece
610	L-08100-00008-001	Pneumatic pipe d8mm	6.00 m